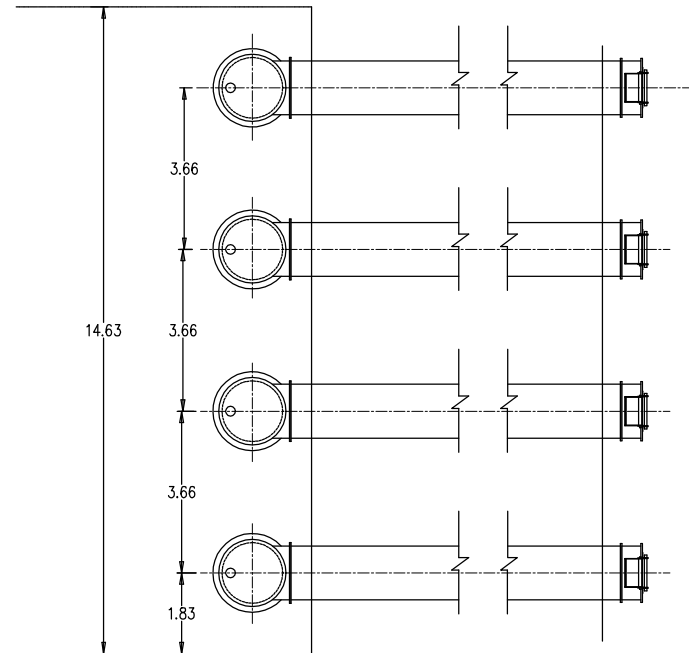


REV	DESCRIPTION	DATE	CHECKED



NOTES:

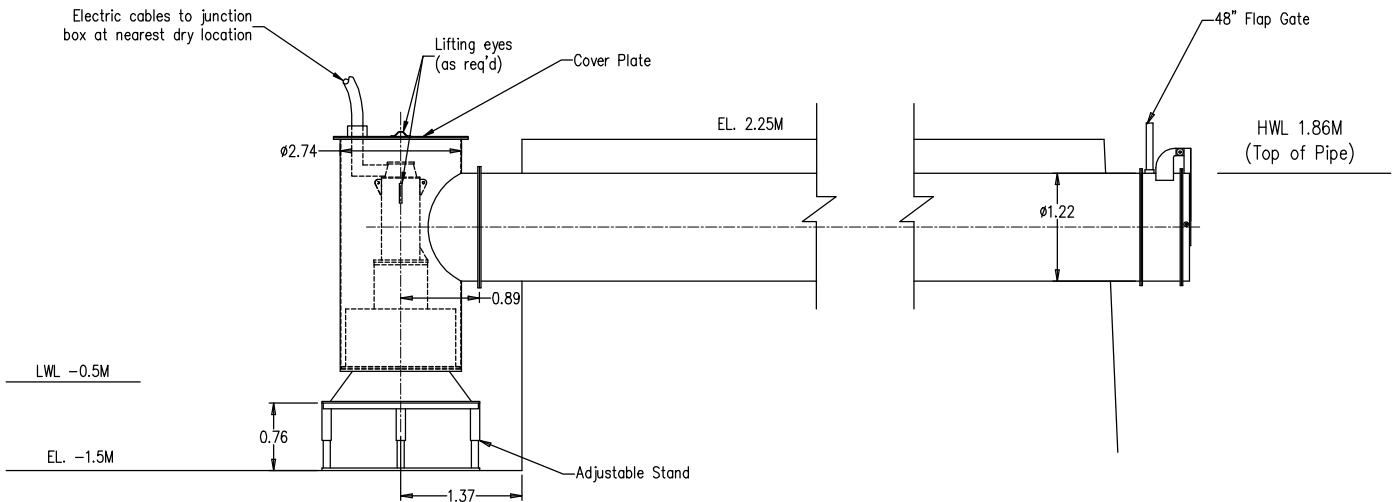
MWI Model SEA348 Submersible Electric Water Pump rated, 3.75cms.

Electric Motor; 300 HP

Gear; 4.82:1 ratio

PLAN VIEW

HALF SCALE




ELEVATION

<p>THIS DRAWING IS THE PROPERTY OF MWI CORPORATION, 201 N.FED HWY., DEERFIELD BEACH, FL 33441 AND IS LOANED WITH THE EXPRESS UNDERSTANDING THAT IT IS SUBJECT TO RETURN ON DEMAND.</p> <p>THE ENGINEERING KNOW-HOW AND DESIGN INFORMATION HEREON ARE INCLUDED IN THE PRICE OF OUR PROPOSAL AND MAY NOT BE REVEALED, USED OR TRANSMITTED TO OTHERS EXCEPT IN ACCORD WITH CONTRACT OR WRITTEN PERMISSION OF MWI CORPORATION.</p> <p>© 2003 MWI CORPORATION.</p>	DESIGNED BY	DATE	TITLE	<p>SCALE none</p> <p>SHEET 1 of 1</p>
		13 MAY 04	GENERAL ARRANGEMENT SEA348 SUBMERSIBLE ELECTRIC WATER PUMP	
	DRAWN BY	DATE		
		14 MAY 04		
	CHECKED BY	DATE		
JDE	14 MAY 04			
JOB	VIET NAM JOHN SHIPP		DWG No.	P04032

**MOVING WATER INDUSTRIES**

201 NORTH FEDERAL HIGHWAY  
DEERFIELD BEACH, FLORIDA  
33441



**MWI CORPORATION**