

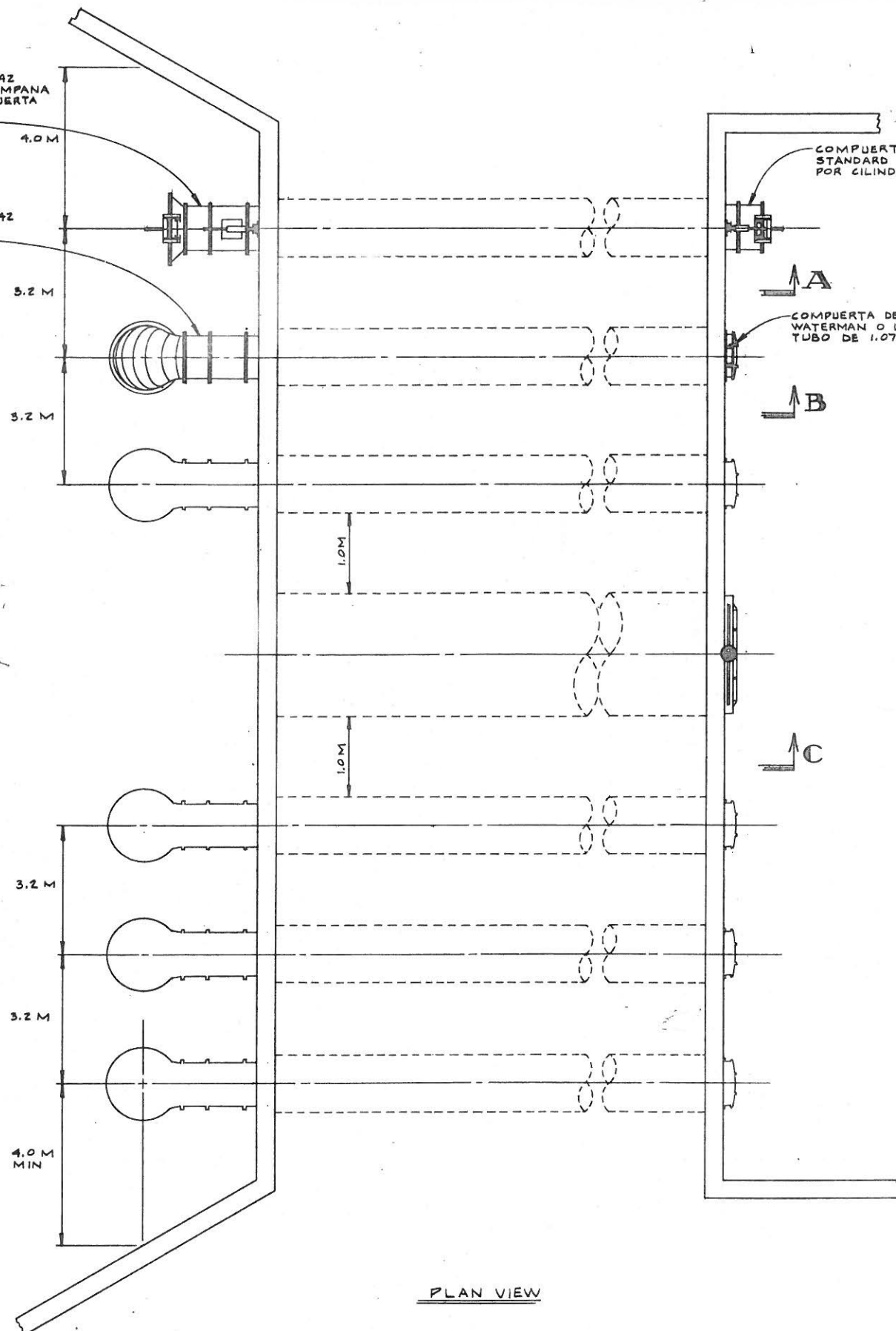
M&W HYDRAFLU MODELO HC542 (DE DOBLE DIRECCION) CON CAMPANA DE ENTRADA RECTA, Y COMPUERTA DE CHARNELA OPERADA POR CILINDRO HIDRAULICO

M&W HYDRAFLU MODELO HC542 CON CAMPANA DE ENTRADA DE 90° (TIP DE 5)

A

B

C



PLAN VIEW

COMPUERTA DE CHARNELA STANDARD DE M&W OPERADA POR CILINDRO HIDRAULICO

NIVEL MINIMO PARA BOMBEO CON 6 BOMBAS 2.34 M

A

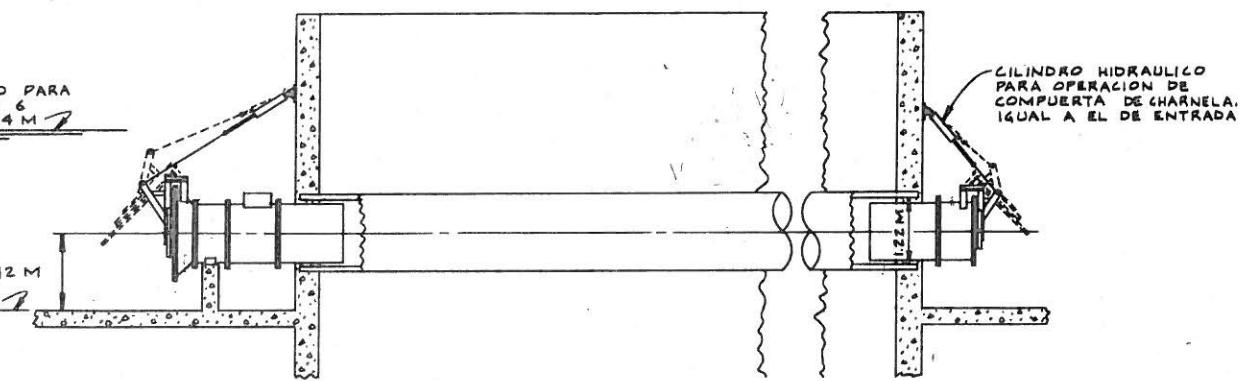
B

C

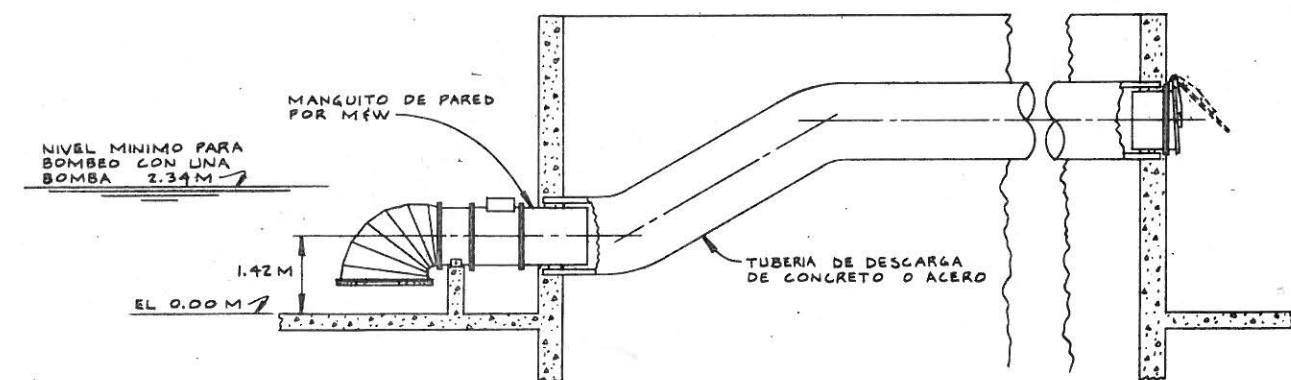
1.42 M  
EL 0.00 M

NIVEL MINIMO PARA BOMBEO CON UNA BOMBA 2.34 M

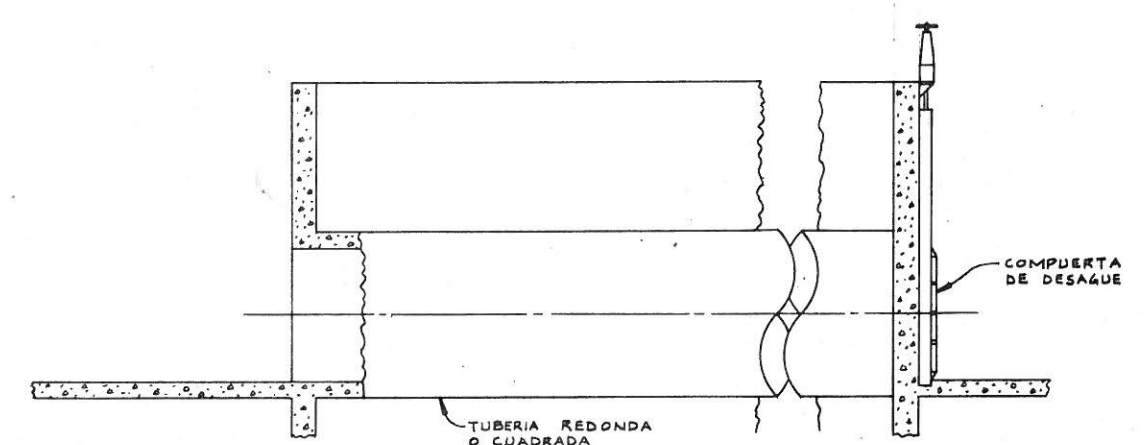
1.42 M  
EL 0.00 M



SECCION A-A



SECCION B-B



SECCION C-C

<small>NOTE</small> THIS DRAWING IS THE PROPERTY OF M&W PUMP CORP., 23 N.W. 2nd ST. DEERFIELD BEACH, FL. 33441 AND IS LOANED TO YOU WITH THE EXPRESS UNDERSTANDING THAT IT IS SUBJECT TO RETURN ON DEMAND.  <small>THE ENGINEERING KNOW-HOW AND DESIGN INFORMATION HEREON ARE INCLUDED IN THE PRICE OF OUR PROPOSAL AND MAY NOT BE RE-VEALED, USED OR TRANSMITTED TO OTHERS EXCEPT IN ACCORD WITH CONTRACT OR WRITTEN PERMISSION FROM M&amp;W PUMP CORP.</small>	<small>MODEL NO.</small> HC542 (6) / 4200DE (6)	<small>TITLE</small> _____	
	<small>CUSTOMER</small> _____	<small>DWG. NO.</small> 729081F	<small>SHEET</small> 1 OF 1
	<small>JOB</small> _____	<small>SCALE</small> 3/16" = 1'-0"	<small>DRAWN BY</small> _____
	<small>CUSTOMER APPROVAL</small> _____	<small>DATE</small> 7-21-81	<small>CK'D BY</small> _____
<small>SIGNATURE</small> _____	<small>DATE</small> 7-21-81	<small>DATE</small> _____	

