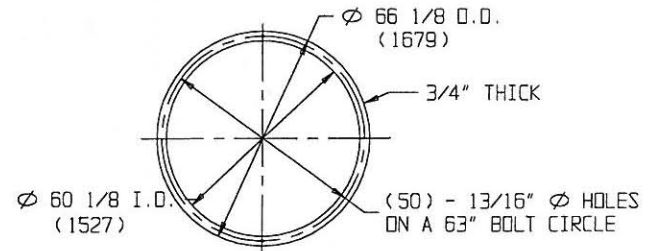
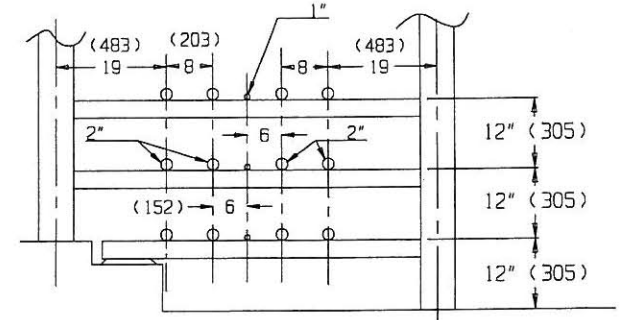


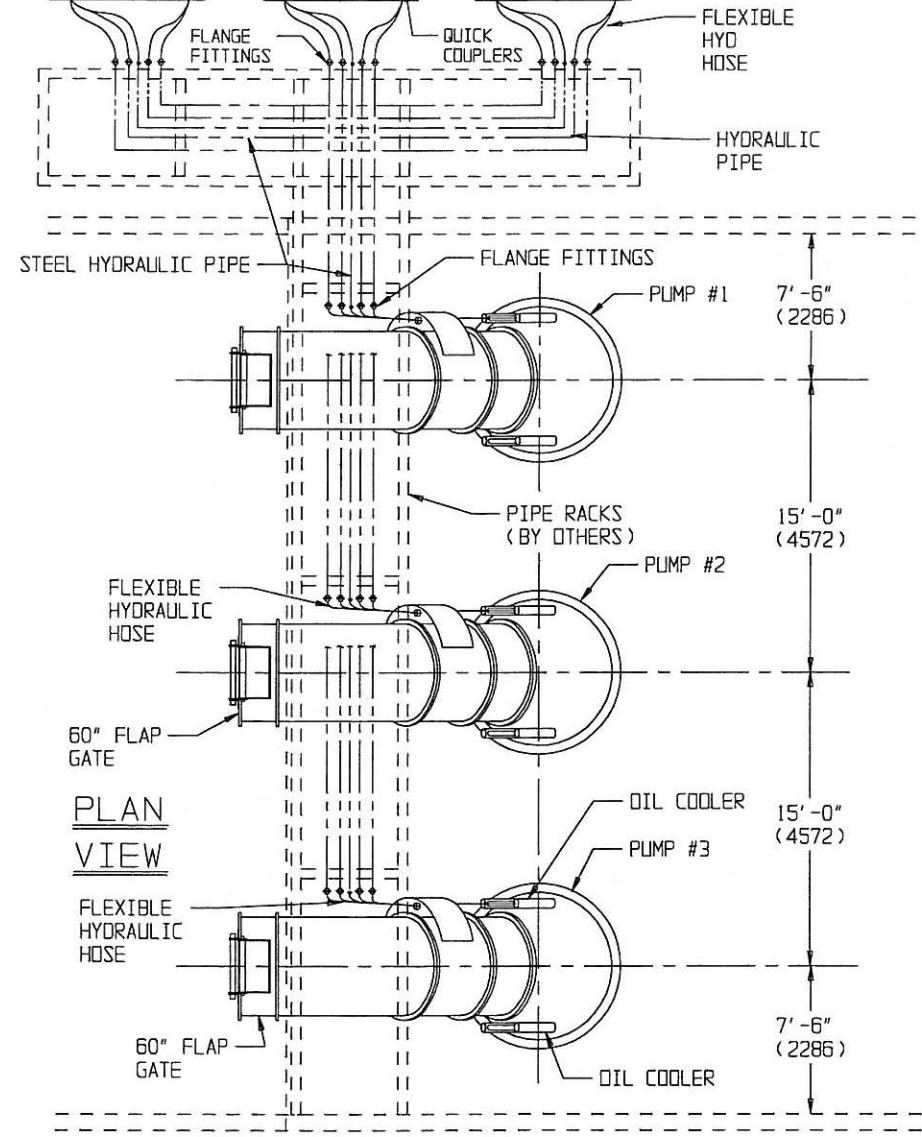
M & W MODEL 60000
MOBILE DRIVE UNIT
(SEE DWG CS94130
SHEET 2 of 2)



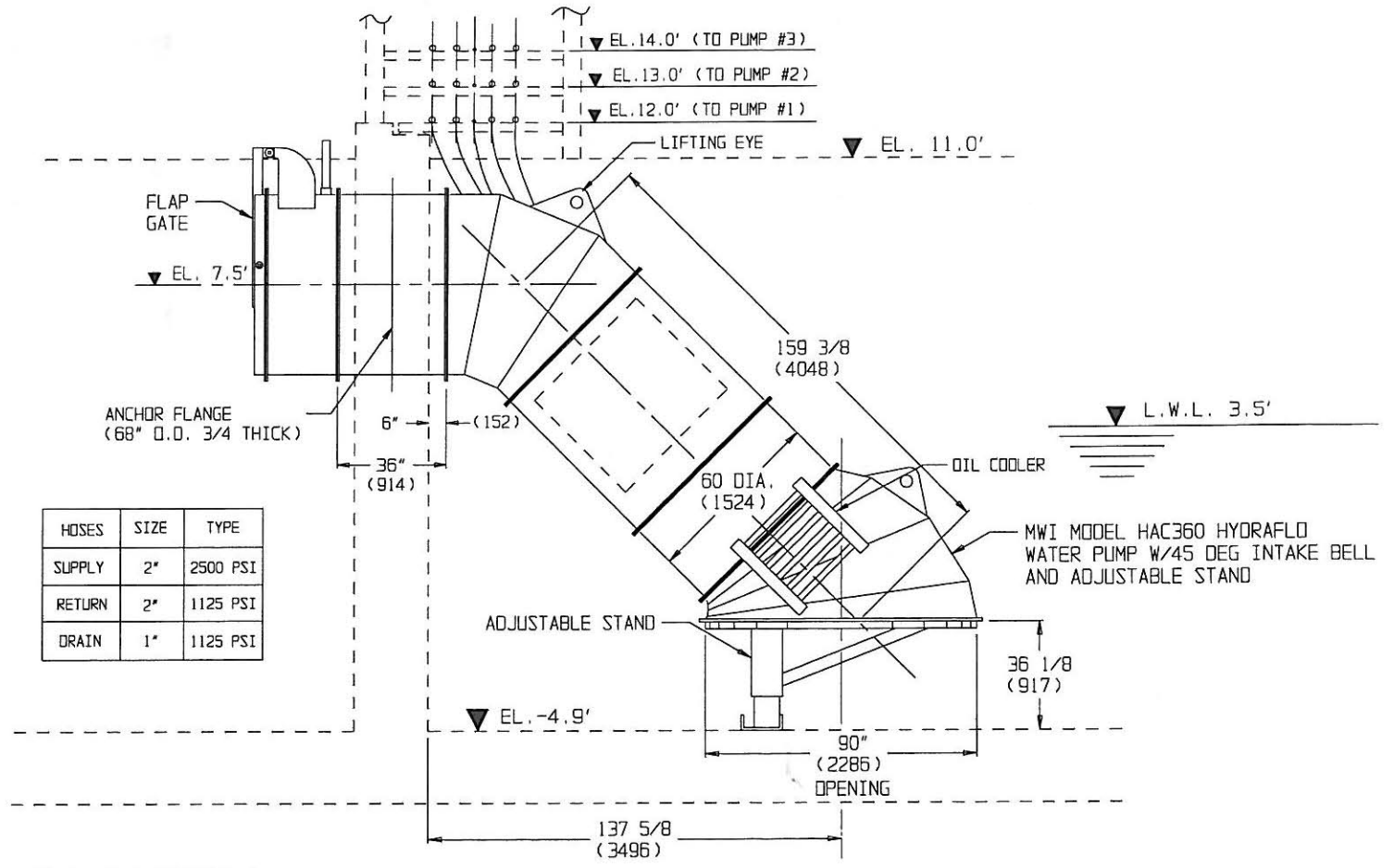
DETAIL 60" M & W FLANGE



STEEL HYDRAULIC PIPE LAYOUT



PLAN
VIEW



ELEVATION
(BTY 3)

HOSES	SIZE	TYPE
SUPPLY	2"	2500 PSI
RETURN	2"	1125 PSI
DRAIN	1"	1125 PSI

PIPE	SIZE	TYPE
SUPPLY	2"	SCH 80
RETURN	2"	SCH 40
DRAIN	1"	SCH 40

DRAWN BY	DATE	CK'D BY	DATE	CAOKEY
fyg				V 6.04
CUSTOMER				
JOB				

TITLE
GENERAL ARRANGEMENT
MWI MODEL HAC360
HYDRAFLO WATER PUMP
& 60000 DIESEL DRIVE UNIT

SCALE SHEET 1 of 2

DWG No. HFAA-1

MOVING WATER INDUSTRIES

201 NORTH FEDERAL HIGHWAY
DEERFIELD BEACH, FLORIDA
33441

CORPORATION