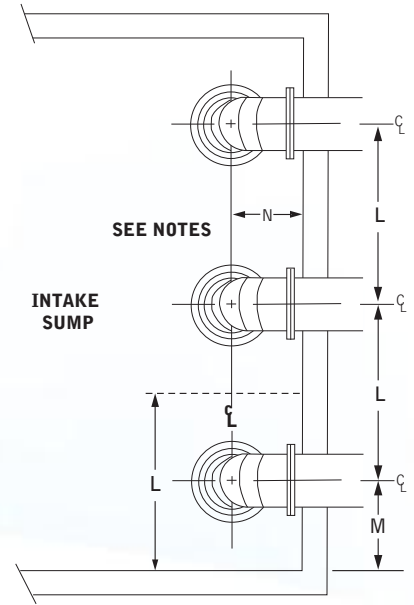
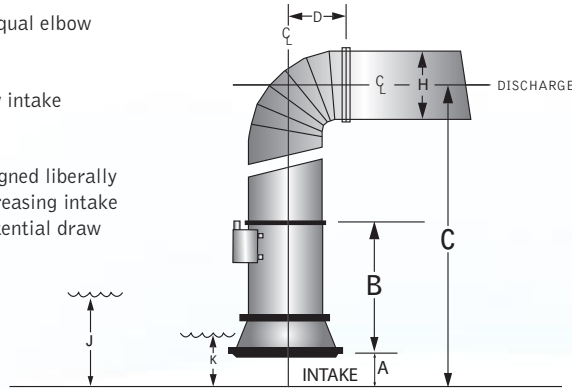




Vertical Hydraflo Water Pump Single Stage Dimension Guide U.S.

NOTES:

1. Dimensions shown are minimum and can be increased when required.
2. Dimensions shown are based on an equal elbow and pipe diameter.
3. Strainer bars on intake extend below intake flange opening.
4. Depth of sump should always be designed liberally to accommodate possible future decreasing intake water levels and to maximize the potential draw down.



Model	A RECOMMENDED INTAKE CLEARANCE in.	B HYDRAFLO PUMP LENGTH in.	C SUMP FLOOR TO HORIZONTAL CENTERLINE OF DISCHARGE in.	D CENTERLINE OF INTAKE BELL TO DISCHARGE FLANGE in.	H DISCHARGE PIPE DIAMETER in.	J MINIMUM WATER LEVEL FOR PUMP STARTING in.	K MINIMUM WATER LEVEL FOR PUMP SHUT OFF in.	L MINIMUM PUMP SPACING in.	M MINIMUM PUMP SIDE WALL CLEARANCE in.	N MAXIMUM PUMP CENTERLINE TO BACKWALL SPACING in.
HAC308	5	29	42	9	8.6	25	13	24	12	9
HAC312	7	29	48	13	12.8	32	13	36	18	14
HAC316	10	33	58	16	16.0	40	15	48	24	18
HAC320	12	39	71	20	20.0	47	17	60	30	23
HAC324	14	42	80	24	24.0	56	24	72	36	27
HAC330	18	52	100	30	30.0	69	25	90	45	34
HAC336	22	63	121	36	36.0	82	32	108	54	41
HAC342	25	64	131	42	42.0	94	32	126	63	47
HAC348	29	58	134	48	48.0	105	46	144	72	54
HAC354	32	82	169	54	54.0	117	46	162	81	61
HAC360	36	120	216	60	60.0	131	49	180	90	68
HMF12	6	33	51	13	12.8	31	13	32	16	12
HMF16	9	42	67	16	16.0	39	15	43	21	16
HMF20	10	54	85	20	20.0	45	17	53	27	20
HMF24	13	59	96	24	24.0	57	23	64	32	24
HMF30	16	77	123	30	30.0	58	23	80	40	30
HMF42	22	108	172	42	42.0	91	33	112	56	42

All dimensions are +/- 1/2 inch.



Copyright 2011 MWI Corporation.
Dimensions are guidelines only and subject to change at any time.

**MOVING WATER INDUSTRIES
INTERNATIONAL HEADQUARTERS**

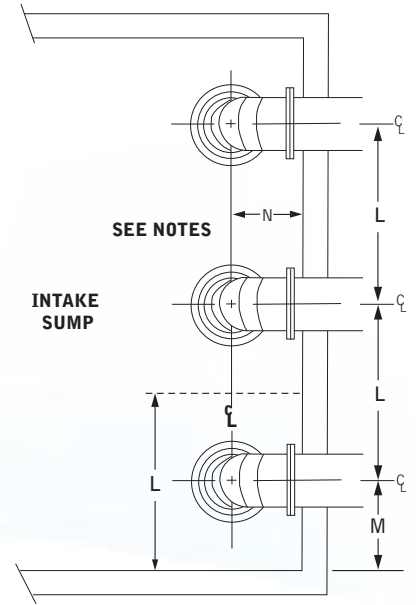
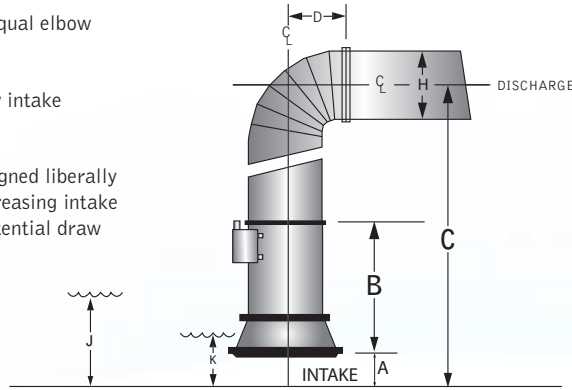
201 N. Federal Highway Deerfield Beach, Florida 33441 USA Phone: (954) 426-1500 Fax: (954) 426-1582
E-mail: info@mwicorp.com www.mwipumps.com



Vertical Hydraflo Water Pump Single Stage Dimension Guide METRIC

NOTES:

1. Dimensions shown are minimum and can be increased when required.
2. Dimensions shown are based on an equal elbow and pipe diameter.
3. Strainer bars on intake extend below intake flange opening.
4. Depth of sump should always be designed liberally to accommodate possible future decreasing intake water levels and to maximize the potential draw down.



Model	A RECOMMENDED INTAKE CLEARANCE mm.	B HYDRAFLO PUMP LENGTH mm.	C SUMP FLOOR TO HORIZONTAL CENTERLINE OF DISCHARGE mm.	D CENTERLINE OF INTAKE BELL TO DISCHARGE FLANGE mm.	H DISCHARGE PIPE DIAMETER mm.	J MINIMUM WATER LEVEL FOR PUMP STARTING mm.	K MINIMUM WATER LEVEL FOR PUMP SHUT OFF mm.	L MINIMUM PUMP SPACING mm.	M MINIMUM PUMP SIDE WALL CLEARANCE mm.	N MAXIMUM PUMP CENTERLINE TO BACKWALL SPACING mm.
HAC308	122	730	1055	219	219	630	330	610	305	229
HAC312	183	730	1218	324	324	818	330	914	457	343
HAC316	244	832	1482	406	406	1006	381	1219	610	457
HAC320	305	992	1805	508	508	1194	432	1524	762	572
HAC324	366	1059	2034	610	610	1433	610	1829	914	686
HAC330	457	1319	2538	762	762	1753	635	2286	1143	857
HAC336	549	1608	3071	914	914	2088	813	2743	1372	1029
HAC342	640	1618	3325	1067	1067	2393	813	3200	1600	1200
HAC348	732	1465	3416	1219	1219	2662	1168	3658	1829	1372
HAC354	823	2094	4288	1372	1372	2982	1168	4115	2057	1543
HAC360	914	3056	5494	1524	1524	3327	1245	4572	2286	1715
HMF12	163	829	1296	324	324	798	330	813	406	305
HMF16	217	1067	1690	406	406	979	381	1082	541	406
HMF20	264	1376	2149	508	508	1153	432	1356	678	509
HMF24	325	1494	2429	610	610	1443	572	1626	813	610
HMF30	406	1956	3124	762	762	1483	584	2032	1016	762
HMF42	569	2743	4379	1067	1067	2322	838	2845	1422	1067

All dimensions are +/- 10mm.



Copyright 2011 MWI Corporation.
Dimensions are guidelines only and subject to change at any time.

MOVING WATER INDUSTRIES
INTERNATIONAL HEADQUARTERS

201 N. Federal Highway Deerfield Beach, Florida 33441 USA Phone: (954) 426-1500 Fax: (954) 426-1582
E-mail: info@mwicorp.com www.mwipumps.com