

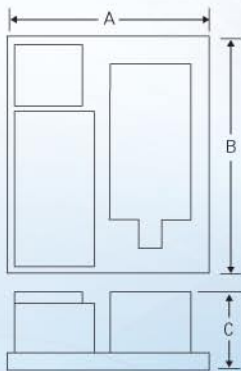
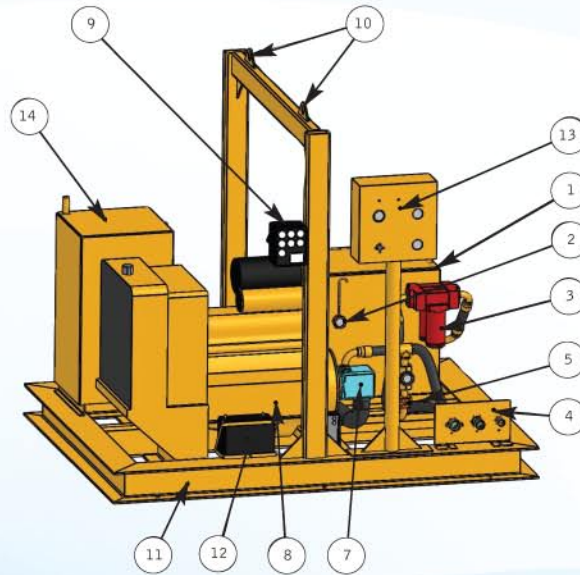


Large Diesel Drive Unit

GENERAL INFORMATION									
DRIVE MODEL NUMBER	WATER PUMP	HYDRAULIC RESERVOIR		DAY TANK		HOSE CONNECTION [IN]			DIESEL ENGINE (BHP RANGE)
		GALS	LTRS	GALS	LTRS	RETURN	SUPPLY	CASE DRAIN	HP @ 1800 RPM
3000D	30"-36"	60	227	50	189	2	2	0.75	201-350
4200D	42"-48"	225	852	100	379	2-2	2-2	0.75	351-575
6000D	54"-60"	300	1136	200	757	2-2	2-2	1	576-800

Standard Equipment

1. Oil Reservoir/Heat Exchanger
2. Hydraulic Oil Level Switch Gauge
3. Return Filter
4. Quick Couplers
5. Relief Valve
6. Suction Strainer (below)
7. Hydraulic Pump
8. Diesel Engine
9. Engine Controls
10. Lifting Eyes (small frames only)
11. Heavy Duty Skid Frame
12. Battery
13. Control Panel
 - A. Suction Strainer Vacuum Gauge
 - B. Hydraulic System Pressure Gauge
 - C. Oil Temperature Gauge
 - D. Failure Reset
 - E. System Loading Valve
14. Day Tank (optional)



PHYSICAL DATA									
DRIVE MODEL NUMBER	GENERAL DIMENSIONS								
	A		B		C		DRY WEIGHT (APPROX)		
	FT	MTS	FT	MTS	FT	MTS	lbs.	kg.	
3000D	7.25	2.21	12.50	3.81	7.17	2.18	7500	3402	
4200D	5.10	1.56	13.33	4.06	8.77	2.67	9800	4445	
6000D	7.33	2.24	16.33	4.98	8.25	2.51	15000	6804	

MOVING WATER INDUSTRIES
INTERNATIONAL HEADQUARTERS

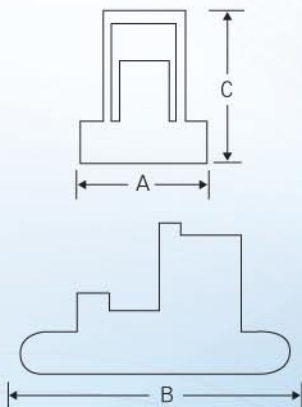
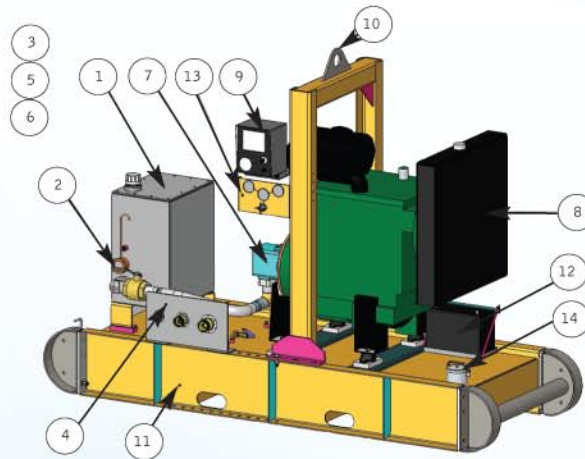


Platform Diesel Drive Unit

GENERAL INFORMATION									
DRIVE MODEL NUMBER	WATER PUMP	HYDRAULIC RESERVOIR		DAY TANK		HOSE CONNECTION [IN]			DIESEL ENGINE (BHP RANGE)
		GALS	LTRS	GALS	LTRS	RETURN	SUPPLY	CASE DRAIN	HP @ 1800 RPM
800D	8"	10	38	78	295	1	0.75	0.75	≤35
1200D	12"-16"	10	38	94	356	1.25	1	0.75	36-70
2000D	20"	15	57	94	356	1.5	1.25	0.75	71-100
2400D	24"	22	83	187	708	1.5	1.5	0.75	101-225

Standard Equipment

1. Oil Reservoir/Heat Exchanger
2. Hydraulic Oil Level Switch Gauge
3. Return Filter (not shown)
4. Quick Couplers
5. Relief Valve (not shown)
6. Suction Strainer (below)
7. Hydraulic Pump
8. Diesel Engine
9. Engine Controls
10. Lifting Eyes (small frames only)
11. Heavy Duty Skid Frame
12. Battery
13. Control Panel
 - A. Suction Strainer Vacuum Gauge
 - B. Hydraulic System Pressure Gauge
 - C. Oil Temperature Gauge
 - D. Failure Reset
 - E. System Loading Valve
14. Day Tank



PHYSICAL DATA								
DRIVE MODEL NUMBER	GENERAL DIMENSIONS						DRY WEIGHT (APPROX)	
	A		B		C		lbs.	kg.
	FT	MTS	FT	MTS	FT	MTS		
800D	3.08	0.94	7.75	2.36	5.44	1.66	2100	950
1200D	3.08	0.94	9.00	2.74	6.42	1.96	2500	1135
2000D	3.08	0.94	9.00	2.74	6.42	1.96	3100	1409
2400D	4.00	1.22	10.45	3.19	6.59	2.00	4300	1950

MOVING WATER INDUSTRIES
INTERNATIONAL HEADQUARTERS