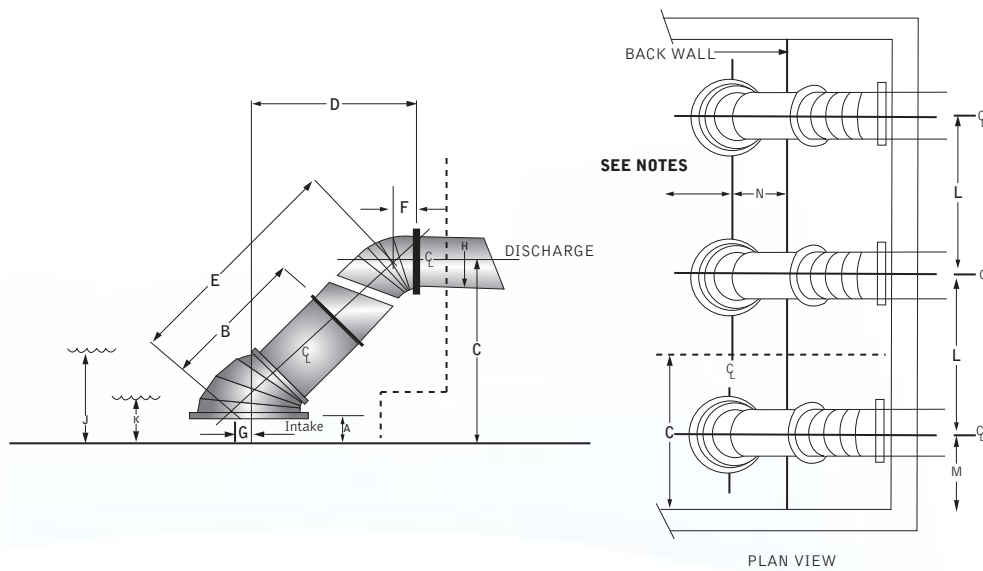




# Angled Hydrflo Water Pump Single Stage Dimension Guide U.S.

### NOTES:

1. Dimensions shown are minimum and can be increased as required.
2. Dimensions shown are based on short radius elbow.
3. Strainer bars on intake extend below intake flange opening.
4. Depth of sump should always be designed liberally to accommodate possible future decreasing intake water levels and to maximize the potential draw down.



Model	A	B	C	D	E	F	G	H	J	K	L	M	N
	INTAKE CLEARANCE	HYDRAFLO PUMP LENGTH	SUMP FLOOR TO HORIZONTAL CENTER-LINE OF DISCHARGE	CENTER-LINE OF INTAKE BELL TO DISCHARGE FLANGE	INTAKE FLANGE TO HORIZONTAL CENTER-LINE OF DISCHARGE	DISCHARGE FLANGE TO CENTER-LINE	INTAKE BELL CENTER-LINE TO 45° PUMP CENTER-LINE	DISCHARGE PIPE DIAMETER	MINIMUM WATER LEVEL FOR PUMP STARTING	MINIMUM WATER LEVEL FOR PUMP SHUT OFF	MINIMUM PUMP SPACING	MINIMUM PUMP SIDE WALL CLEARANCE	MAXIMUM PUMP CENTER-LINE TO BACKWALL SPACING
	in.	in.	in.	in.	in.	in.	in.	in.	in.	in.	in.	in.	in.
HAC308	5	29	28	24	32	4	3	8.6	25	13	24	12	9
HAC312	7	37	37	30	43	5	5	12.8	32	13	36	18	14
HAC316	10	42	44	36	48	7	5	16.0	40	15	48	24	18
HAC320	12	51	54	44	59	8	6	20.0	47	17	60	30	23
HAC324	14	53	59	49	63	10	6	24.0	56	24	72	36	27
HAC330	18	66	73	61	78	12	7	30.0	69	25	90	45	34
HAC336	22	81	90	74	96	15	8	36.0	82	32	108	54	41
HAC342	25	82	95	81	99	17	6	42.0	94	32	126	63	47
HAC348	29	103	115	97	122	20	10	48.0	105	46	144	72	54
HAC354	32	103	121	103	125	22	8	54.0	117	46	162	81	61
HAC360	36	105	128	110	130	25	6	60.0	131	49	180	90	68
HMF12	6	41	39	34	46	5	4	12.8	31	13	32	16	12
HMF16	9	48	47	41	55	7	4	16.0	39	15	43	21	16
HMF20	10	54	55	47	62	8	6	20.0	45	17	53	27	20
HMF24	13	89	82	73	99	10	7	24.0	57	23	64	32	24
HMF30	16	91	89	77	103	12	8	30.0	58	23	80	40	30
HMF42	22	112	114	101	129	17	8	42.0	91	33	112	56	42

All dimensions are +/- 1/2 inch.



Copyright 2011 MWI Corporation.  
Dimensions are guidelines only and subject to change at any time.

MOVING WATER INDUSTRIES  
INTERNATIONAL HEADQUARTERS

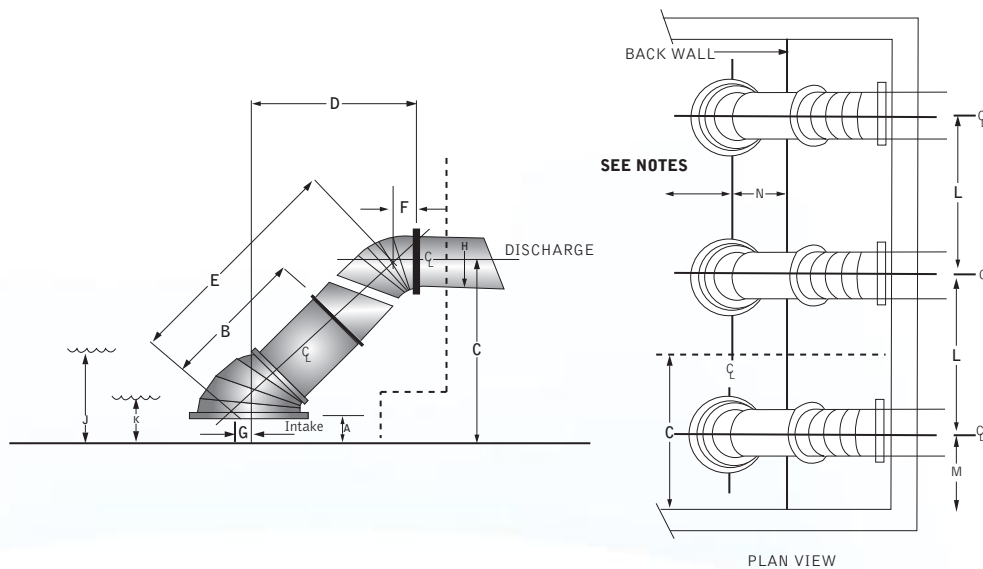
201 N. Federal Highway Deerfield Beach, Florida 33441 USA Phone: (954) 426-1500 Fax: (954) 426-1582  
E-mail: info@mwicorp.com www.mwipumps.com



# Angled Hydrflo Water Pump Single Stage Dimension Guide METRIC

### NOTES:

1. Dimensions shown are minimum and can be increased as required.
2. Dimensions shown are based on short radius elbow.
3. Strainer bars on intake extend below intake flange opening.
4. Depth of sump should always be designed liberally to accommodate possible future decreasing intake water levels and to maximize the potential draw down.



Model	A	B	C	D	E	F	G	H	J	K	L	M	N
	INTAKE CLEARANCE	HYDRFLO PUMP LENGTH	SUMP FLOOR TO HORIZONTAL CENTER-LINE OF DISCHARGE	CENTER-LINE OF INTAKE BELL TO DISCHARGE FLANGE	INTAKE FLANGE TO HORIZONTAL CENTER-LINE OF DISCHARGE	DISCHARGE FLANGE TO CENTER-LINE	INTAKE BELL CENTER-LINE TO 45° PUMP CENTER-LINE	DISCHARGE PIPE DIAMETER	MINIMUM WATER LEVEL FOR PUMP STARTING	MINIMUM WATER LEVEL FOR PUMP SHUT OFF	MINIMUM PUMP SPACING	MINIMUM PUMP SIDE WALL CLEARANCE	MAXIMUM PUMP CENTER-LINE TO BACKWALL SPACING
	mm.	mm.	mm.	mm.	mm.	mm.	mm.	mm.	mm.	mm.	mm.	mm.	mm.
HAC308	122	727	701	608	819	92	64	219	630	330	610	305	229
HAC312	183	946	946	774	1080	133	122	324	818	330	914	457	343
HAC316	244	1059	1112	908	1227	168	129	406	1006	381	1219	610	457
HAC320	305	1283	1360	1123	1492	210	141	508	1194	432	1524	762	572
HAC324	366	1349	1500	1245	1603	254	143	610	1433	610	1829	914	686
HAC330	457	1678	1866	1555	1992	314	168	762	1753	635	2286	1143	857
HAC336	549	2062	2274	1889	2440	378	214	914	2088	813	2743	1372	1029
HAC342	640	2080	2423	2062	2521	441	162	1067	2393	813	3200	1600	1200
HAC348	732	2605	2930	2454	3109	505	249	1219	2662	1168	3658	1829	1372
HAC354	823	2608	3069	2611	3177	568	203	1372	2982	1168	4115	2057	1543
HAC360	914	2661	3243	2801	3292	632	159	1524	3327	1245	4572	2286	1715
HMF12	163	1033	987	856	1167	133	103	324	798	330	813	406	305
HMF16	217	1227	1203	1051	1395	168	104	406	979	381	1082	541	406
HMF20	264	1375	1384	1189	1584	210	140	508	1153	432	1356	678	509
HMF24	325	2249	2095	1851	2503	254	173	610	1443	572	1626	813	610
HMF30	406	2311	2263	1956	2626	314	215	762	1483	584	2032	1016	762
HMF42	569	2845	2893	2562	3286	441	203	1067	2322	838	2845	1422	1067

All dimensions are +/- 10mm.



Copyright 2011 MWI Corporation.  
Dimensions are guidelines only and subject to change at any time.

MOVING WATER INDUSTRIES  
INTERNATIONAL HEADQUARTERS

201 N. Federal Highway Deerfield Beach, Florida 33441 USA Phone: (954) 426-1500 Fax: (954) 426-1582  
E-mail: info@mwicorp.com www.mwipumps.com