



# DuraFlo™ HTC010

## HTC010 - Hydraulic Submersible Trash Pump and 2400D Drive Unit

### APPLICATIONS:

**Flood Control**

**Industrial**

**Bypass Pumping**

**Stormwater Drainage**

**Construction Dewatering**

**Agriculture**

**Aquaculture**

**Quarries**

The MWI DuraFlo™ hydraulic submersible trash pumps coupled with their diesel or electric drive units are an unbeatable combination for: drying out construction excavations, quarry dewatering, bypassing sewage, general municipal use and industrial work. These units are designed and manufactured for the toughest environments with the best combination of ruggedness, reliability, performance, operational costs and initial price. DuraFlos never quit – positively affecting your success and bottom line.

### FEATURES

#### 2400D Diesel Engine Drive Unit

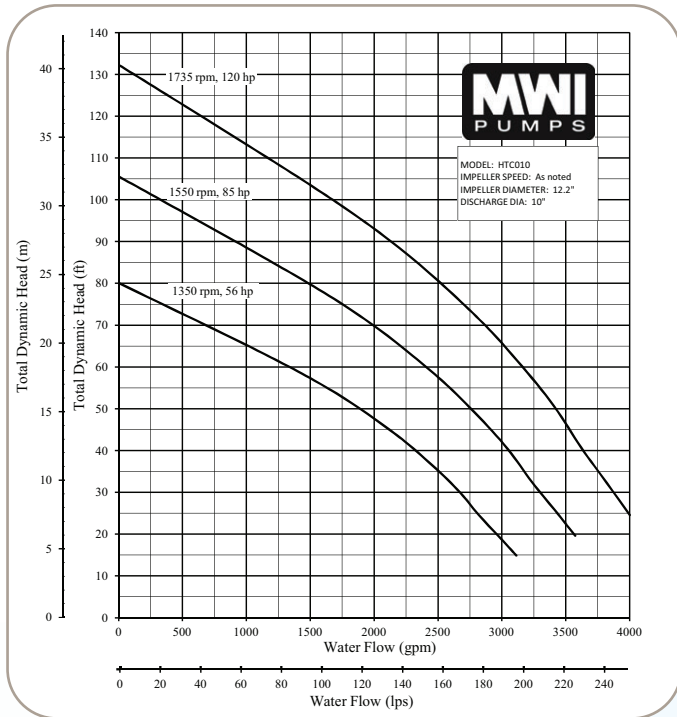
- Skid mounted unit - Standard
  - Trailer mounted unit available
    - With optional fenders, DOT light kit and braking system
- Engine and hydraulic safety shutdowns
- Complete Hydraulic System with control panel, pump, filters, tank and gauges
- Small hydraulic tank reduces fluid replacement costs
- Reliable, efficient Vane Hydraulic Pump
- Environmentally friendly - inherently biodegradable hydraulic fluid
- Auto Start Stop Panel available with floats

#### DuraFlo™ - HTC010

- Open 3 bladed impeller for handling trash and sewage
- Easily passes 3 1/8" solids
- Runs dry indefinitely
- Oil lubricated seals and bearings
- Reliable, rugged Vane Hydraulic Motor
- Replaceable wear plates
- Lifting point
- Cast steel volute - Weldable and shock proof



## PERFORMANCE



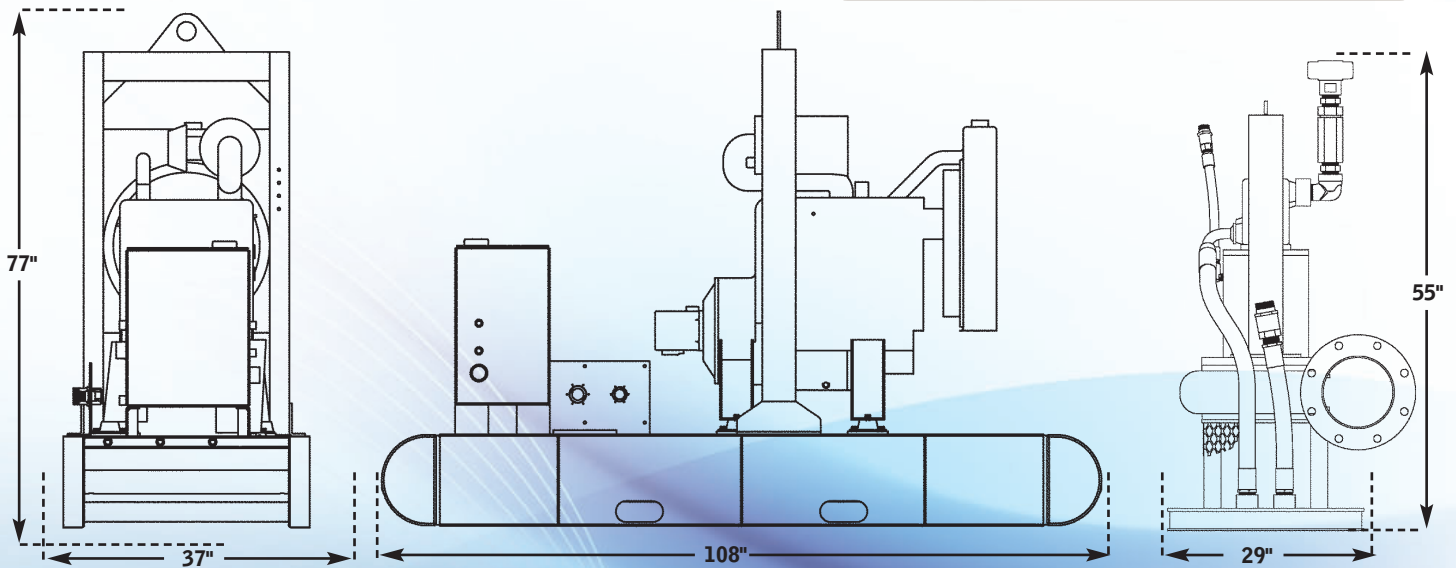
## MATERIALS & SPECIFICATIONS

### HTC010

- Hydraulic Motor - Dennison Vane Type
- Impeller - 3 bladed open - A 36 steel
- Shaft material - 300 series stainless steel
- Volute - High strength, cast steel-nautilus design
- Wear plates - A36 steel - upper and lower
- Discharge - 10" ANSI Pattern Flange
- Hydraulic quick disconnects - 1 1/2" Supply, 1 1/2" Return, 3/4" Case Drain
- Mechanical seal - Silicone carbide - Hydraulic-fluid bathed
- Bearings - Hydraulic-fluid lubricated-50,000 hours - Minimum life.
- Weight - 680 lbs
- Coating - MoTar Standard - Epoxy optional

### 2400D Drive Unit

- Diesel engine 85HP
- Engine panel with tach, hour meter, high coolant temperature and low oil pressure shutdowns plus over speed protection.
- 187 gallon vented fuel tank with extra large filler and fuel gauge.
- 22 gallon hydraulic fluid tank
- Safety shutdowns for low hydraulic oil, excessive vacuum and high hydraulic oil temperature.
- Equipped with an internal suction strainer, return filter, external sight gauge for hydraulic oil and vented hydraulic oil filler cap.
- Hydraulic pump - Dennison vane type
- Weight - 4900 lbs - skid



MWI Corp. DuraFlo is a registered trademark. Copyright 2011. All rights reserved. Designs and specifications may change due to continual improvement of our products. P0612

...  
Moving Water Worldwide - Reliably and Efficiently

201 N. Federal Highway Deerfield Beach, Florida 33441 USA  
Phone: (954) 426-1500 Fax: (954) 426-1582 E-mail: info@mwicorp.com www.mwipumps.com