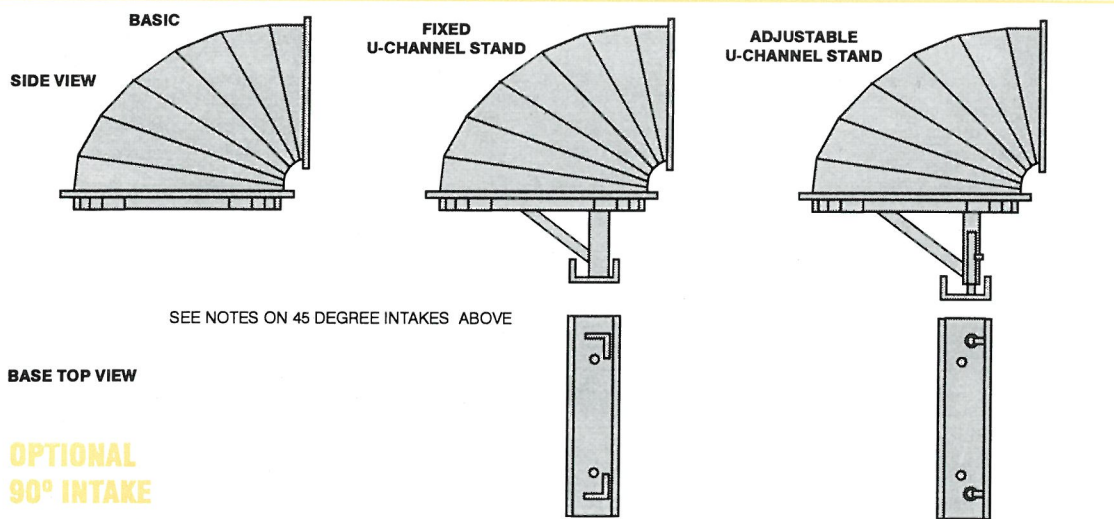
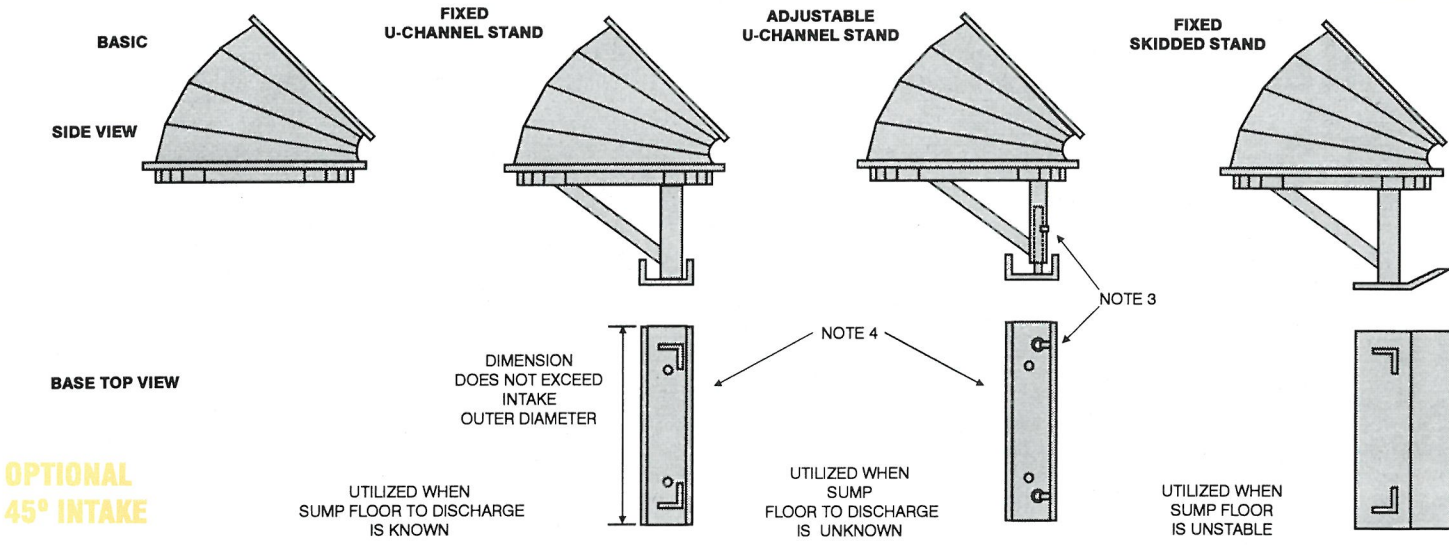
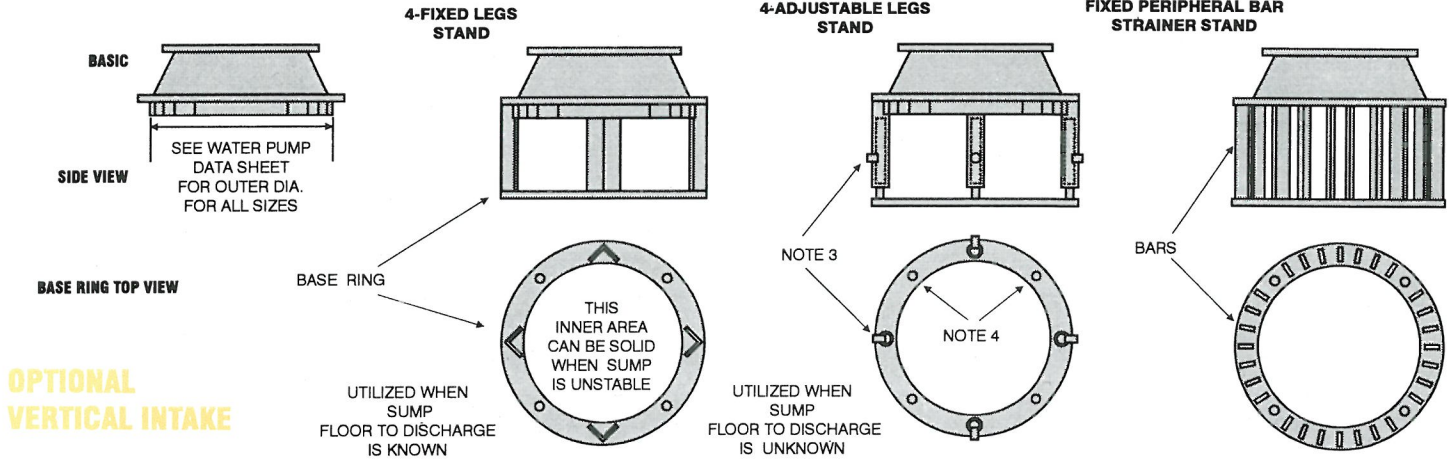




# Moving Water Industries Corporation

## OPTIONAL EQUIPMENT FOR HYDRAFLO® WATER PUMP INTAKES WITH STAND ARRANGEMENTS



- NOTES:**
1. Intake bells are available for 30 degree angle pump installation as well as the types shown above. Consult factory.
  2. Stand height dimensions from sump floor to intake flange are varied due to the capacity requirements. Consult factory or Hydraulic Standards as a guide.
  3. Weld legs or tighten set screw when correct height is known.
  4. Clearance holes for mounting.