



# MWI / COUCH PUMP COMPANY



## FLAP GATE FOR DISCHARGE



### Specifically Designed for:

Flood Control  
Irrigation Systems  
Sewer and Effluent Outfalls

### Typical Applications:

Waste Treatment Plants  
Farm Levees  
Irrigation Canals  
Tidal Drainage  
Municipal Projects

- ~ **Customized Design**  
Special materials and designs available for specific applications where standard ASTM A-36 steel is not satisfactory.
- ~ **Double Hinged Construction**  
Permits flexibility at bottom pivot. Assures positive seating.
- ~ **Full Pipe Size**  
Flanged or plain end to meet job requirements.
- ~ **Minimum Head Loss**  
Flat plate design provides smooth flow with less tendency to clog.

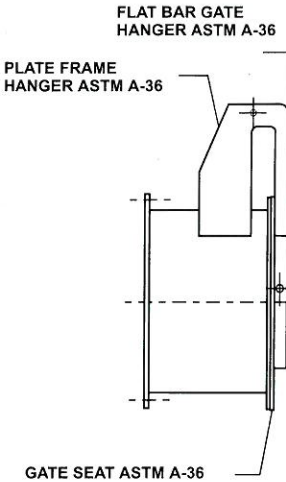
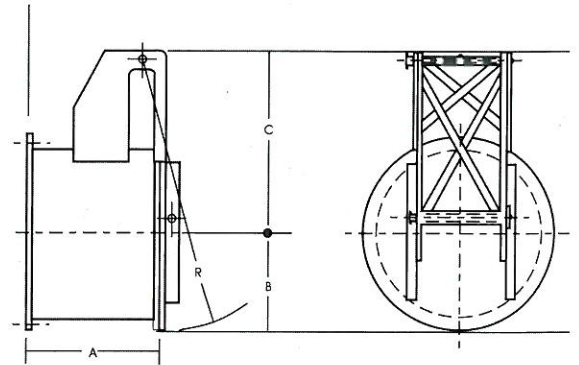
- ~ **All Fabricated Steel**  
Lighter weight than cast iron - not subject to breakage or warping. Fabrication design permits use of any weldable material for easy repair.
- ~ **Positive Dual Lubrication**  
Bronze oilite bushings provide permanent lubrication. Grease packed tube provides long life lubrication with a provision for replaceable bronze bearings.
- ~ **External Adjustment**  
Not necessary for positive seal.
- ~ **Spool Piece Available**  
In various lengths. Simplified piping design.



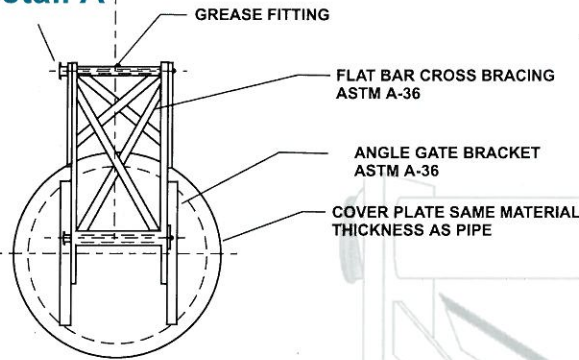
# FLAP GATE FOR DISCHARGE



AVAILABLE AS MWI COUCH  
FLANGE, 125 LB. FLANGE  
OR PLAIN END FOR WELDING



See  
Detail A

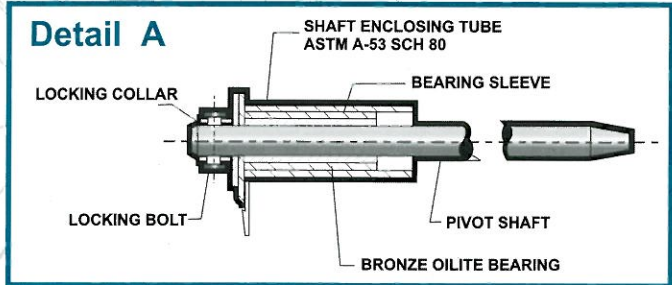


GATE SEAT ASTM A-36

Standard Material Thickness	
6" - 12"	- SCH 20
14" - 30"	- 3/16"
36" - 48"	- 1/4"
54" - 60"	- 5/16"

Size Range	Max. Head Loss Feet - Water (estimated)
6" - 12"	0.05
14" - 24"	0.10
30" - 48"	0.20
60" - 72"	0.30

Other sizes available on request. Head losses vary with valve and flowrate. Head losses are estimated.



PIPE DIAMETER		DIMENSION A		DIMENSION B		DIMENSION C		(RADIUS) R		MASS	
in.	mm.	in.	mm.	in.	mm.	in.	mm.	in.	mm.	lbs.	kg
6	152	12	305	5	127	8 7/8	225	12 3/4	324	85	39
8	203	12	305	6	152	9 7/8	251	14 3/4	375	100	45
10	254	12	305	7	178	12 1/8	308	18	457	125	57
12	305	12	305	8	203	15	381	21 1/2	546	150	68
14	356	12	305	9	229	16	406	23 1/2	597	160	73
16	406	12	305	10	254	17 7/8	454	26 1/2	673	185	84
18	457	12	305	11	279	17 3/4	451	27 1/2	699	210	95
20	508	12	305	12	305	21 1/4	540	32	813	235	107
24	610	18	457	14 1/2	368	26 3/8	670	39	991	360	163
28	711	24	610	16 7/8	429	30 1/2	775	45 7/8	1165	435	197
30	762	24	610	17 7/8	454	32	813	47 7/8	1216	470	213
36	914	24	610	20 7/8	530	36 1/4	921	54 7/8	1394	580	263
42	1067	24	610	24 3/8	619	41 3/4	1060	63 7/8	1622	710	322
48	1219	24	610	27 3/8	695	50	1270	74 3/8	1889	980	445
54	1372	24	610	30 3/8	772	53 1/2	1359	80 7/8	2054	1125	510
60	1524	30	762	33 3/8	848	61	1549	91 3/8	2321	1265	574
72	1829	36	914	39	991	75	1905	112	2845	2375	1077

The information contained herein is general in nature and is not intended for specific construction, installation or application purposes. MWI/Couch Pump Company reserves the right to make changes in specifications shown herein or add improvements or discontinue manufacture at any time without notice or obligation.