



# Jet Pump JP006

## 6" Jet Pump

APPLICATIONS:

**Construction**

**Wellpoint**

**Sock Dewatering**

**Remediation**

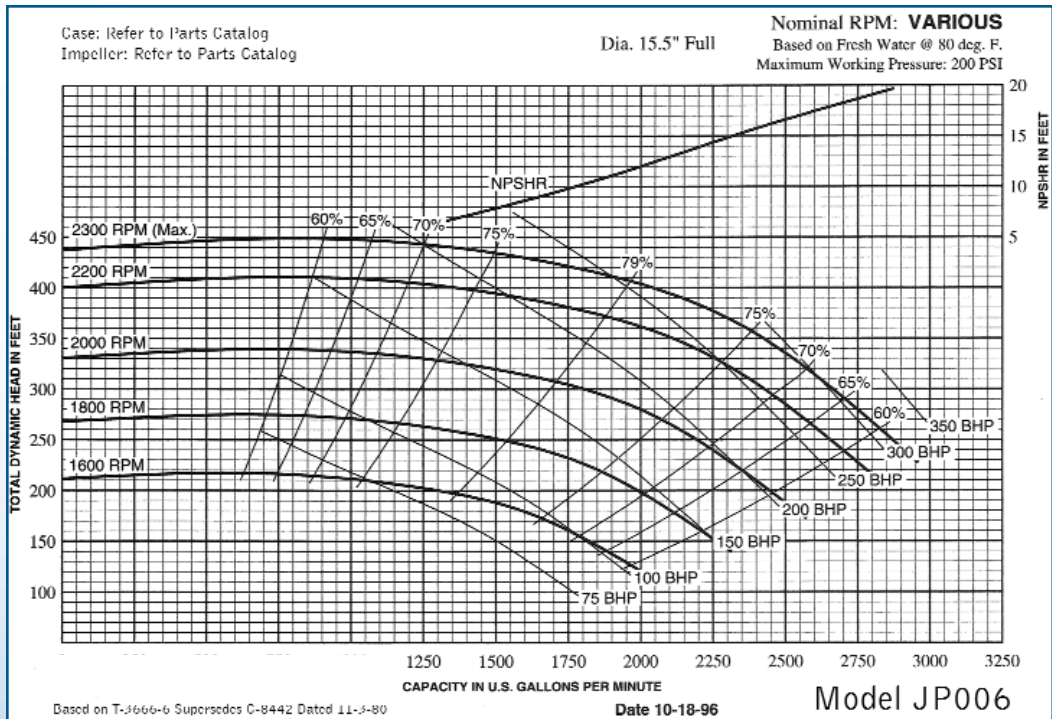
**Recharge**

**Multiple Fluid Transfer**

**Capabilities**

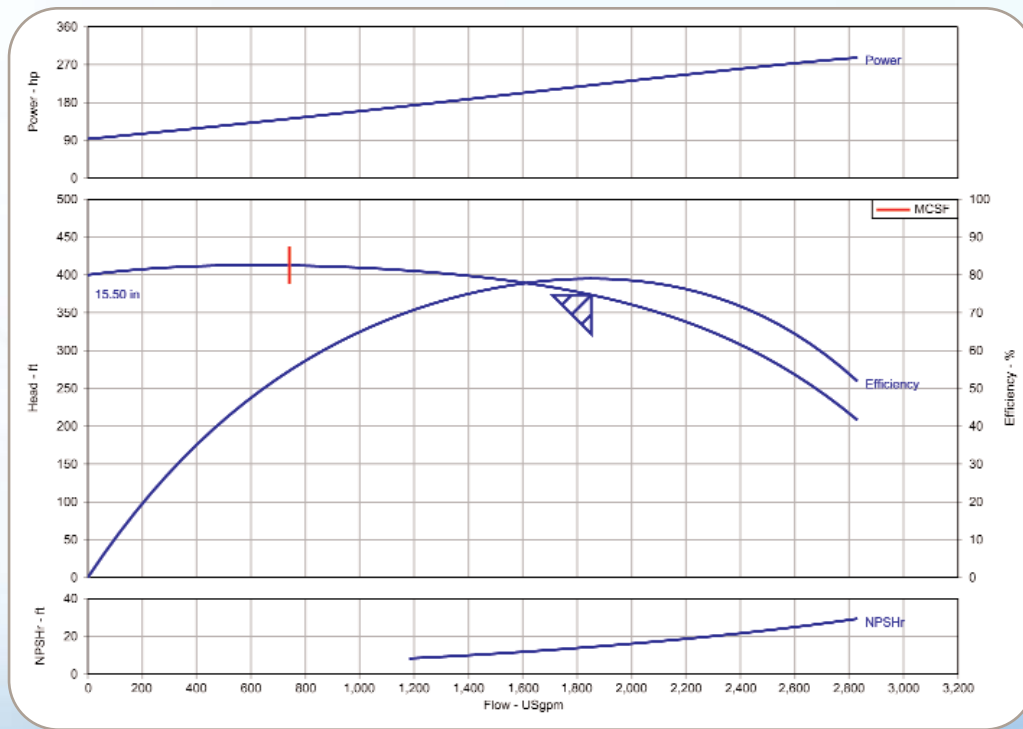
MWI's high pressure jet pumps make short work of gravel washing, drilling, pipeline testing, equipment cleaning, piling and wellpoint jetting, as well as any other high pressure applications.

These heavy-duty pumps can handle your toughest pumping jobs with flows to 4000 gpm and pressures to 200 psi. The units are complete and ready to operate with a weight of 6220lbs in skid configuration with an open industrial power unit, integral 500 gallon fuel tank, lifting bail, control panel and hand or compressor-driven primer.



## Pump Performance Datasheet

Customer : Customer reference : Item number : Service : Quantity : 1	Quote number : Size : B5EXQBHS Stages : 1 Based on curve number : 8443 Date last saved : 07 Aug 2012 12:54 PM	
<b>Operating Conditions</b>		
Flow, rated : 1,852.4 USgpm Differential head / pressure, rated (requested) : 373.5 ft Differential head / pressure, rated (actual) : 373.5 ft Suction pressure, rated / max : 0.00 / 0.00 psi.g NPSH available, rated : Ample Frequency : 60 Hz	Liquid type : --Water Additional liquid description : Solids diameter, max : 0.00 in Solids concentration, by volume : 0.00 % Temperature, max : 68.00 deg F Fluid density, rated / max : 1.000 / 1.000 SG Viscosity, rated : 1.00 cP Vapor pressure, rated : 0.00 psi.a	
<b>Performance</b>		
Speed, rated : 2,200 rpm Impeller diameter, rated : 15.50 in Impeller diameter, maximum : 15.50 in Impeller diameter, minimum : 14.38 in Efficiency : 79.00 % NPSH required / margin required : 14.40 / 0.00 ft nq (imp. eye flow) / S (imp. eye flow) : 22 / 248 Metric units MCSF : 741.4 USgpm Head, maximum, rated diameter : 412.8 ft Head rise to shutoff : 7.05 % Flow, best eff. point (BEP) : 1,852.4 USgpm Flow ratio (rated / BEP) : 100.00 % Diameter ratio (rated / max) : 100.00 % Head ratio (rated dia / max dia) : 100.00 % Cq/Ch/Ce [ANSI/HI 9.6.7-2010] : 1.00 / 1.00 / 1.00 Selection status : Acceptable	Material selected : Not specified	
		<b>Pressure Data</b>
		Maximum working pressure : 178.7 psi.g Maximum allowable working pressure : 200.0 psi.g Maximum allowable suction pressure : N/A Hydrostatic test pressure : N/A
		<b>Driver &amp; Power Data</b>
		Driver sizing specification : Rated power Margin over specification : 0.00 % Service factor : 1.00 Power, hydraulic : 175 hp Power, rated : 221 hp Power, maximum, rated diameter : 287 hp Minimum recommended motor rating : 250 hp / 186 kW



MWI Corp. RotoFlo is a registered trademark. Copyright 2008. All rights reserved. Designs and specifications may change due to continual improvement of our products. P0808

...  
**Moving Water Worldwide - Reliably and Efficiently**

33 NW 2nd Street Deerfield Beach, Florida 33441 USA  
Phone: (954) 426-1500 Fax: (954) 426-1582 E-mail: info@mwicorp.com www.mwipumps.com

A

B

C

D

E

F

1

2

3

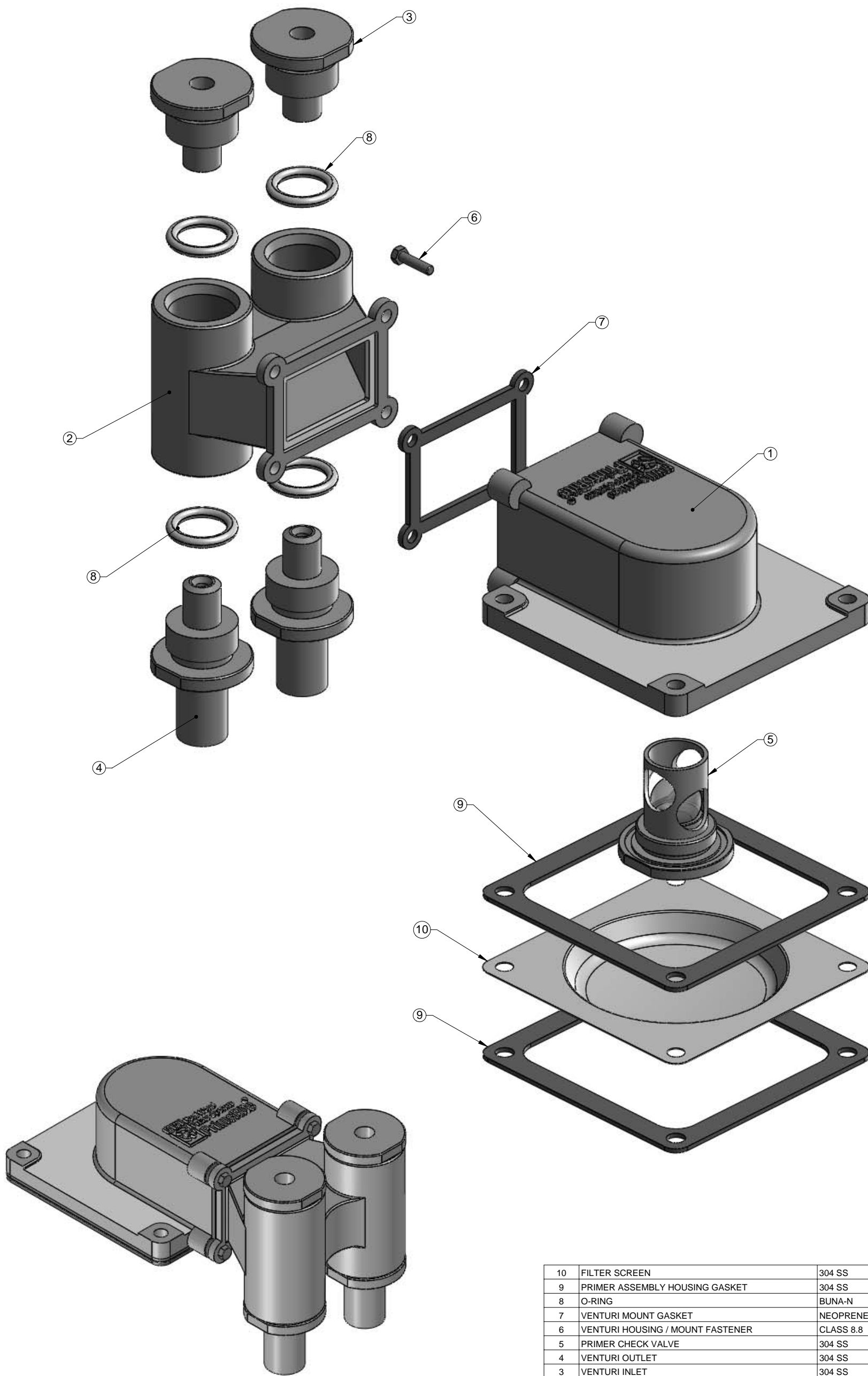
4

5

6

7

8

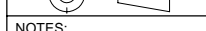


ITEM #	DESCRIPTION	MATERIAL / MODEL	MWI PART #	QTY.
10	FILTER SCREEN	304 SS	F54006	1
9	PRIMER ASSEMBLY HOUSING GASKET	304 SS	F54005	2
8	O-RING	BUNA-N	E05640	4
7	VENTURI MOUNT GASKET	NEOPRENE	F54004	1
6	VENTURI HOUSING / MOUNT FASTENER	CLASS 8.8	BB12810	4
5	PRIMER CHECK VALVE	304 SS	F54003	1
4	VENTURI OUTLET	304 SS	F54002	2
3	VENTURI INLET	304 SS	F54001	2
2	VENTURI HOUSING / MOUNT	CAST STEEL	F54008	1
1	PRIMER ASSEMBLY, CHECK VALVE HOUSING PLUG	CAST STEEL	F54007	1

## BILL OF MATERIALS

INSPECTIONS: BENCH TEST 22inHG

THIRD-ANGLE PROJECTION

WEIGHT:  
13 LBS

NOTES:  
1. NOTES 2, 3, INSPECTIONS AND TOLERANCES ARE APPLICABLE ONLY TO PRODUCTION DRAWINGS.  
2. BREAK / DE-BURR ALL SHARP EDGES AND CORNERS.  
3. STAMP COMPONENT TRACKING NUMBER IN THE LOCATION SHOWN.  
XX-YYYYYY  
XX: SEQUENTIAL TRACKING NUMBER.  
YYYYYY: 6 DIGIT P.O. NUMBER.

PROJECT:

STANDARD

UNLESS OTHERWISE SPECIFIED  
TOLERANCES ARE AS FOLLOWS:

IMPERIAL:  
.X ± 0.06 in.  
.XX ± 0.03  
.XXX ± 0.010  
.XXXX ± 0.001  
FRACTIONAL ± 1/16  
MACHINED SURFACE FINISH: 125 ✓

BOLT PATTERN TOLERANCE:  
EQUAL SPACING VARIATION  
0.03 MAX ALL HOLES.

METRIC:  
.X ± 1.5 mm  
.X ± 0.8  
.XX ± 0.25  
.XXX ± 0.025

MACHINED SURFACE FINISH: 32 ✓

BOLT PATTERN TOLERANCE:  
EQUAL SPACING VARIATION  
0.8 MAX ALL HOLES.

TITLE:

PRIMER ASSEMBLY

JOB NO.:

DRAWN BY:

RI 1/6/2012

DRAWING NO.:

F54000

REV:

-

SHEET:

1 OF 1

APPROVED BY:

1/9/2012



303 NORTH FEDERAL HWY  
DEERFIELD BEACH, FL 33441

ESTABLISHED 1928  
www.mwicorp.com

THIS PROPRIETARY DRAWING IS THE INTELLECTUAL PROPERTY OF MWI CORPORATION, A FLORIDA CORPORATION, AND IT IS LOANED WITH THE EXPRESS UNDERSTANDING THAT ALL RECIPIENTS SHALL NOT DISCLOSE CONFIDENTIAL INFORMATION CONTAINED WITHIN OR CREATE COPIES OF ANY KIND FOR THIRD PARTIES WITHOUT THE PRIOR WRITTEN AUTHORIZATION OF MWI. ADDITIONALLY THIS DRAWING SHALL BE IMMEDIATELY RETURNED AT THE REQUEST OF MWI.

A

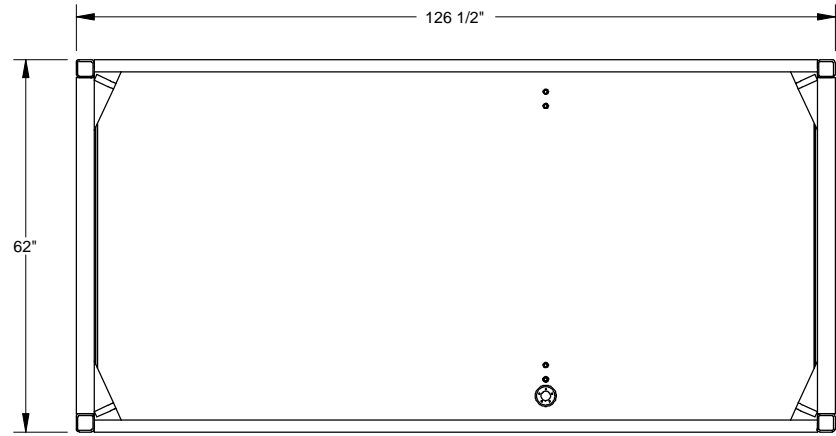
B

C

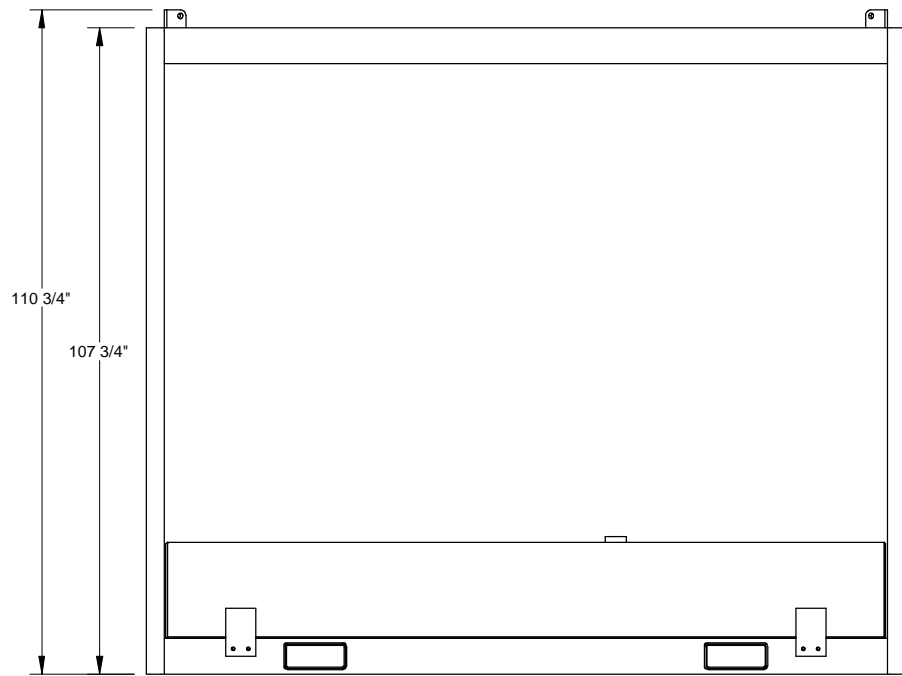
D

E

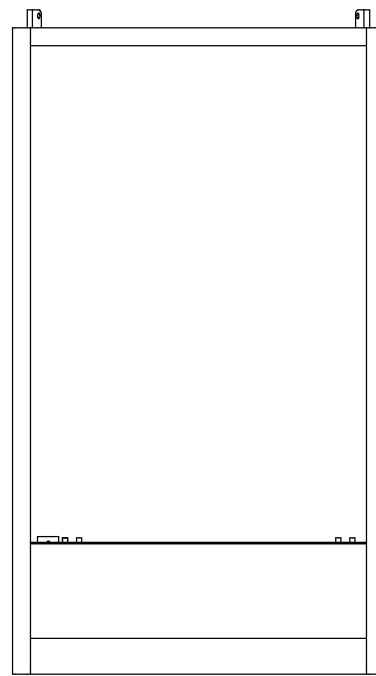
F



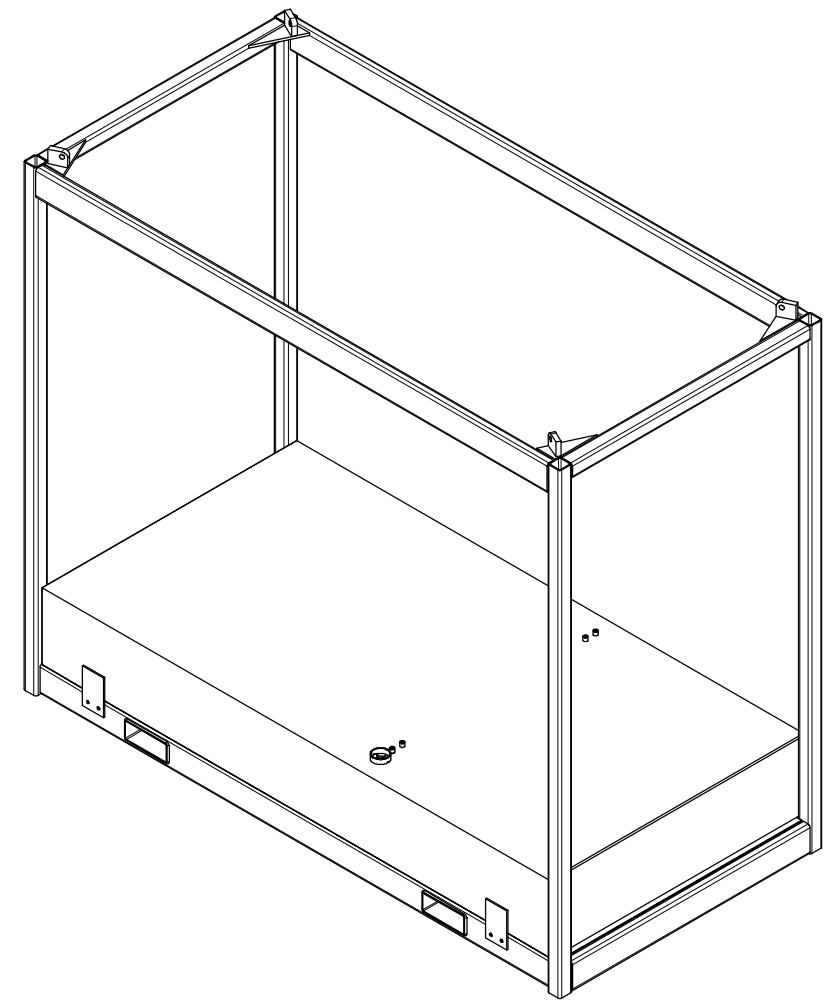
TOP VIEW



FRONT VIEW



SIDE VIEW



INSPECTIONS: <b>NONE</b>		PROJECT: <b>STANDARD</b>	TITLE: <b>JET PUMP FRAME 500 GALLON DIESEL RESERVOIR</b>	
THIRD-ANGLE PROJECTION 	WEIGHT: <b>2906 LBS</b>	UNLESS OTHERWISE SPECIFIED TOLERANCES ARE AS FOLLOWS:		
NOTES: 1. NOTES 2, 3, INSPECTIONS AND TOLERANCES ARE APPLICABLE ONLY TO PRODUCTION DRAWINGS. 2. BREAK / DE-BURR ALL SHARP EDGES AND CORNERS. 3. REMOVE ALL BURRS/RAISED EDGES AROUND DRILLED HOLES AND TAPPED HOLES. 4. MARK PART NO. AT LOCATION SHOWN.	IMPERIAL: .X ± 0.06 in. .XX ± 0.03 .XXX ± 0.010 .XXXX ± 0.001	FRACTIONAL ± 1/16	METRIC: X. ± 1.5 mm .X ± 0.8 .XX ± 0.25 .XXX ± 0.025	JOB NO.: <b>N/A</b>
	MACHINED SURFACE FINISH: 125 √	MACHINED SURFACE FINISH: 32 √	APPROVED BY:	 <small>33 NORTHWEST ELLER STREET DEERFIELD BEACH, FL 33441 WWW.MWICORP.COM</small> THIS PROPRIETARY DRAWING IS THE INTELLECTUAL PROPERTY OF MWI CORPORATION, A FLORIDA CORPORATION, AND IT IS LOANED WITH THE EXPRESS UNDERSTANDING THAT ALL RECIPIENTS SHALL NOT DISCLOSE CONFIDENTIAL INFORMATION CONTAINED WITHIN OR CREATE COPIES OF ANY KIND FOR THIRD PARTIES WITHOUT THE PRIOR WRITTEN AUTHORIZATION OF MWI. ADDITIONALLY THIS DRAWING SHALL BE IMMEDIATELY RETURNED AT THE REQUEST OF MWI.
	BOLT PATTERN TOLERANCE: EQUAL SPACING VARIATION 0.03 MAX ALL HOLES.	BOLT PATTERN TOLERANCE: EQUAL SPACING VARIATION 0.8 MAX ALL HOLES.	DRAWN BY: <b>MAO 12/10/2012</b>	
			REV: -	SHEET: <b>1 OF 1</b>