

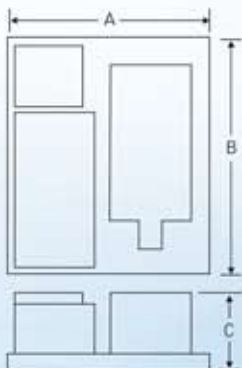
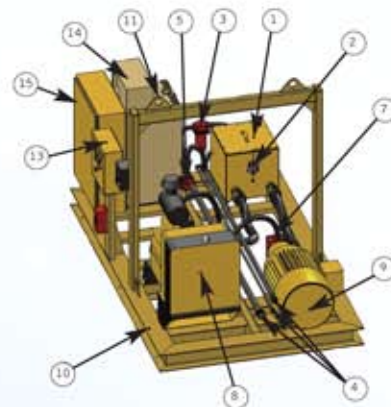


Electric-Diesel Drive Unit

GENERAL INFORMATION									
DRIVE MODEL NUMBER	WATER PUMP	HYDRAULIC RESERVOIR		DAY TANK		HOSE CONNECTION (IN)			DIESEL ENGINE (BHP RANGE)
		GALS	LTRS	GALS	LTRS	RETURN	SUPPLY	CASE DRAIN	HP @ 1800 RPM
800	8"	15	57	50	189	1	0.75	0.75	≤35
1200	12"-16"	15	57	50	189	1.25	1	0.75	36-70
2000	20"	23	85	50	189	1.5	1.25	0.75	71-100
2400	24"	33	125	50	189	1.5	1.5	0.75	101-200
3000	30"-36"	90	341	50	189	2	2	0.75	201-350
4200	42"-48"	338	1278	100	379	2-2	2-2	0.75	351-575

Standard Equipment

- | | |
|--|---|
| <ul style="list-style-type: none"> 1. Oil Reservoir/Heat Exchanger 2. Hydraulic Oil Level Switch Gauge 3. Return Filter 4. Quick Couplers 5. Relief Valve 6. Suction Strainer (below) 7. Hydraulic Pump 8. Diesel Engine 9. Electric Motor 10. Heavy Duty Skid Frame | <ul style="list-style-type: none"> 11. Lifting Eyes (small frame only) 12. Battery (not shown) 13. Control Panel <ul style="list-style-type: none"> A. Suction Strainer Vacuum Gauge B. Hydraulic System Pressure Gauge C. Oil Temperature Gauge D. Failure Reset E. System Loading Valve 14. Day Tank (optional) 15. Electric Motor Starter Panel |
|--|---|



PHYSICAL DATA									
DRIVE MODEL NUMBER	GENERAL DIMENSIONS								
	A		B		C		DRY WEIGHT (APPROX)		
	FT	MTS	FT	MTS	FT	MTS	lbs.	kg.	
800/1200	6.00	1.83	10.00	3.05	7.17	2.18	3500	1585	
2000/2400	7.25	2.21	11.50	3.51	7.17	2.18	5000	2270	
3000	7.25	2.21	12.50	3.81	7.17	2.18	7000	3175	
4200	8.00	2.44	15.00	4.57	8.25	2.51	12000	5445	

MOVING WATER INDUSTRIES
INTERNATIONAL HEADQUARTERS