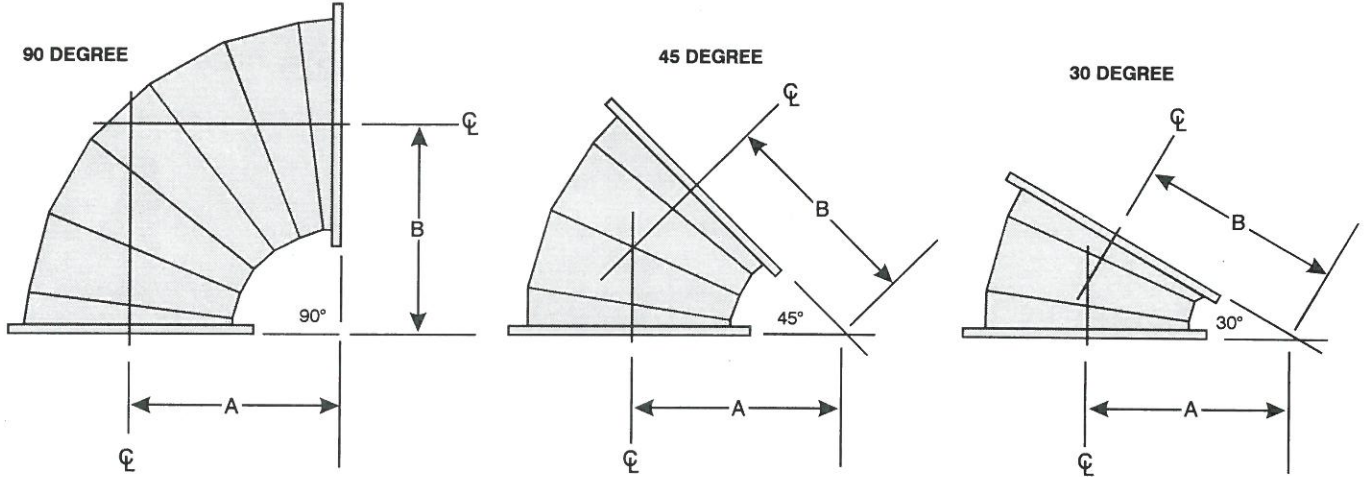




Moving Water Industries Corporation

OPTIONAL EQUIPMENT FOR HYDRAFLO® WATER PUMP DISCHARGE PIPE ELBOWS & FLANGES



DIMENSIONS (A=B)
 SHORT RADIUS ELBOW - A & B DIMENSIONS = DIAMETER OF PIPE
 STANDARD RADIUS ELBOW - A & B DIMENSIONS = 1.5 x DIAMETER OF PIPE
 LONG RADIUS ELBOW - A & B DIMENSIONS = 2 x DIAMETER OF PIPE

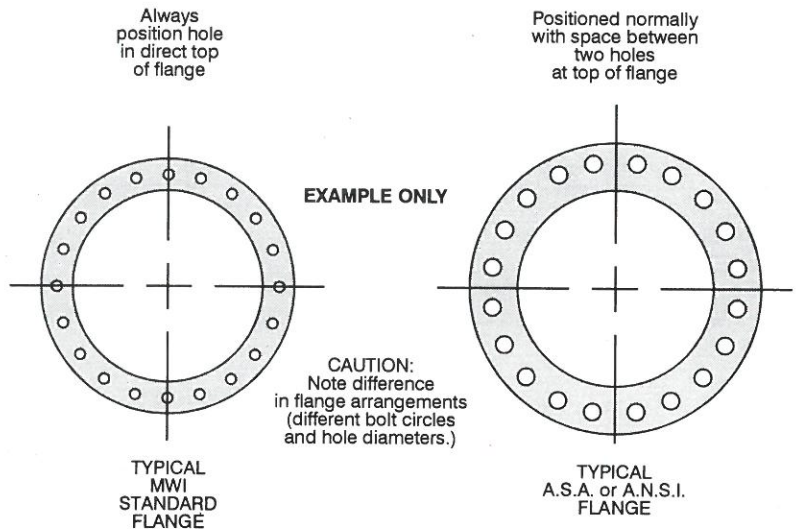
USE NOMINAL PIPE SIZES WHEN DETERMINING PIPE DIAMETER REQUIREMENTS TO MATCH WATER PUMP DISCHARGE.

NOTES:

- MWI standard drilling & diameter flanges are used on all pipe and elbows manufactured by MWI to match water pump discharge flange.
- Wall thickness on discharge pipe depends on installation structural requirements and pressure rating considerations.
- Smooth wall steel pipe is utilized to manufacture all mitered elbows.

STANDARD MWI FLANGE ARRANGEMENT

NOMINAL PIPE SIZE IN inches	NUMBER OF HOLES	DIAMETER OF HOLES		BOLT CIRCLE DIAMETER		OUTER DIAMETER	
		inch	mm	inch	mm	inch	mm
6	12	.203	5.16	8.25	210	9.0	229
8	8	.5625	14.3	10.75	273	12.75	324
12	12	.5625	14.3	14.875	378	16.0	406
16	12	.5625	14.3	19.0	483	20.8125	529
18	16	.5625	14.3	20.25	514	22.5	572
20	18	.5625	14.3	22.0	559	24.125	613
24	20	.5625	14.3	26.375	670	28.625	727
30	24	.5625	14.3	32.75	832	34.125	867
36	28	.75	19.05	40.625	1032	43.125	1095
42	30	.75	19.05	45.5	1156	49.5	1257
60	50	.81	20.57	63.0	1600	66.13	1680



OPTIONAL:
 A.S.A. & A.N.S.I. drilling & diameter flanges are available to match customers existing pipe flange. Consult factory.