

# PLATFORM (SKID) DIESEL UNIT

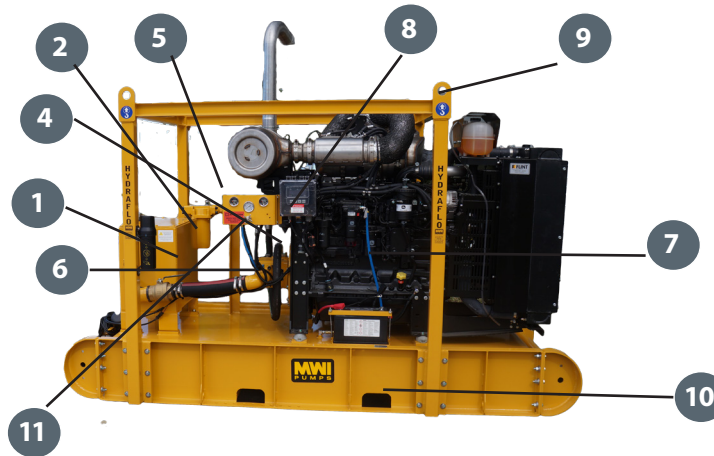
POWERING HYDRAFLO™ & DURAFLO™



## GENERAL INFORMATION

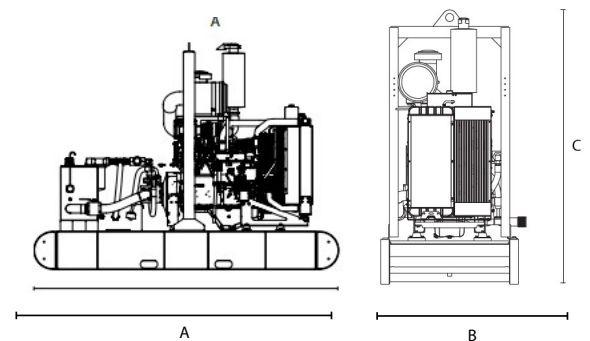
| Drive Model Number | Water Pump | Hydraulic Reservoir |       | Day Tank |       | Hose Connection (in.) |        |            | Diesel Engine (BHP Range) |
|--------------------|------------|---------------------|-------|----------|-------|-----------------------|--------|------------|---------------------------|
|                    |            | Gals.               | Ltrs. | Gals.    | Ltrs. | Return                | Supply | Case Drain | HP @ 1800 RPM             |
| 800                | 8"         | 10                  | 38    | 78       | 295   | 1                     | 0.75   | 0.75       | ≤ 35                      |
| 1200               | 12-16"     | 10                  | 38    | 94       | 356   | 1.25                  | 1      | 0.75       | 36-70                     |
| 2000               | 20"        | 15                  | 57    | 94       | 356   | 1.5                   | 1.25   | 0.75       | 76-100                    |
| 2400               | 24"        | 22                  | 83    | 187      | 708   | 1.5                   | 1.5    | 0.75       | 101-200                   |

1. Oil reservoir/heat exchanger
2. Return filter
3. Quick couplers (not shown)
4. Relief valve
5. Relief bypass sight indicator
6. Hydraulic pump
7. Diesel engine
8. Engine controls
9. Lifting eyes
10. Diesel reservoir
11. Hydraulic control panel



## PHYSICAL DATA

| Drive Model Number | General Dimensions |      |      |      |      |      |                      |      |
|--------------------|--------------------|------|------|------|------|------|----------------------|------|
|                    | A                  |      | B    |      | C    |      | Dry Weight (Approx.) |      |
|                    | Ft.                | Mts. | Ft.  | Mts. | Ft.  | Mts. | lbs                  | kg   |
| 800                | 11.00              | 3.35 | 7.71 | 2.35 | 5.58 | 1.70 | 2500                 | 1135 |
| 1200               | 12.29              | 3.75 | 7.71 | 2.35 | 5.58 | 1.70 | 2900                 | 1315 |
| 2000               | 12.29              | 3.75 | 7.71 | 2.35 | 5.58 | 1.70 | 3500                 | 1590 |
| 2400               | 14.58              | 4.45 | 8.04 | 2.45 | 6.56 | 2.00 | 4800                 | 2180 |



SKID DIESEL DRIVE UNIT