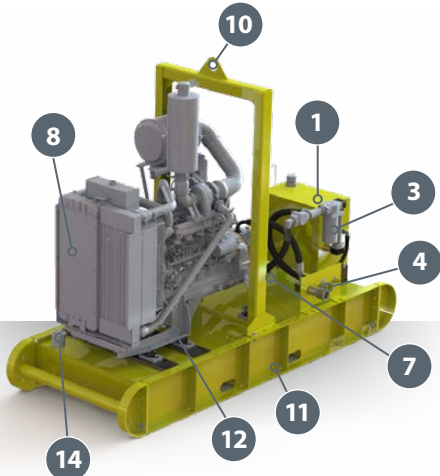


PLATFORM DIESEL DRIVE UNIT

POWERING HYDRAFLO™ & DURAFLO™



GENERAL INFORMATION

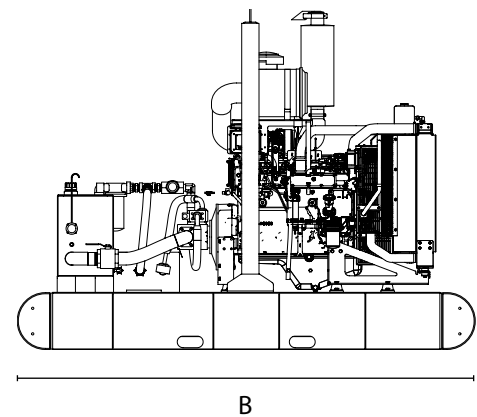
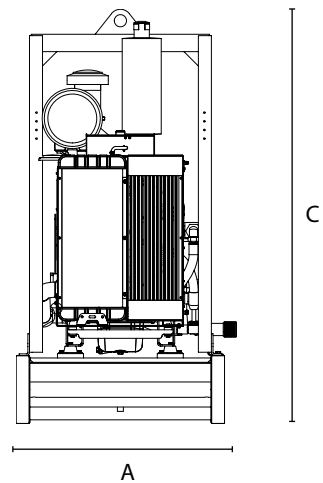
Drive Model Number	Water Pump	Hydraulic Reservoir		Day Tank		Hose Connection (in.)			Diesel Engine (BHP Range)
		Gals.	Ltrs.	Gals.	Ltrs.	Return	Supply	Case Drain	HP @ 1800 RPM
800D	8"	10	38	78	295	1	0.75	0.75	≤ 35
1200D	12-16"	10	38	94	356	1.25	1	0.75	36-70
2000D	20"	15	57	94	356	1.5	1.25	0.75	71-100
2400D	24"	22	83	187	708	1.5	1.5	0.75	101-225

STANDARD FEATURES

1. Oil reservoir/heat exchanger
2. Hydraulic oil level switch gauge
3. Return filter
4. Quick couplers
5. Relief valve (not shown)
6. Suction strainer (below)
7. Hydraulic pump
8. Diesel engine
9. Engine controls
10. Lifting eyes (small frames only)
11. Heavy duty skid frame
12. Battery
13. Control Panel
 - A. Suction strainer vacuum gauge
 - B. Hydraulic system pressure gauge
 - C. Oil temperature gauge
 - D. Failure reset
 - E. System loading valve
14. Day tank

Items not shown: 2, 5, 6, 9, 12, 13

DIMENSIONS



PHYSICAL DATA

Drive Model Number	General Dimensions							
	A		B		C		Dry Weight (Approx.)	
	Ft.	Mts.	Ft.	Mts.	Ft.	Mts.	lbs.	kg.
800D	3.08	0.94	7.75	2.36	5.44	1.66	2100	950
1200D	3.08	0.94	9.00	2.74	6.42	1.96	2500	1135
2000D	3.08	0.94	9.00	2.74	6.42	1.96	3100	1409
2400D	4.00	1.22	10.45	3.19	6.59	2.00	4300	1950

MWI Pumps Headquarters

33 NW 2nd Street | Deerfield Beach, FL 33441

Copyright © 2019 MWI Pumps | All rights reserved. Subject to change without notice.

Inquiries: 954-426-1500 | Fax: 954-426-8938 | Email: info@mwipumps.com | mwipumps.com