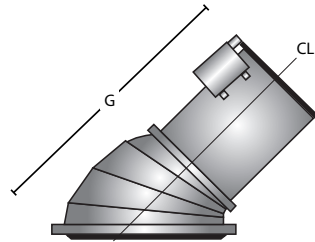
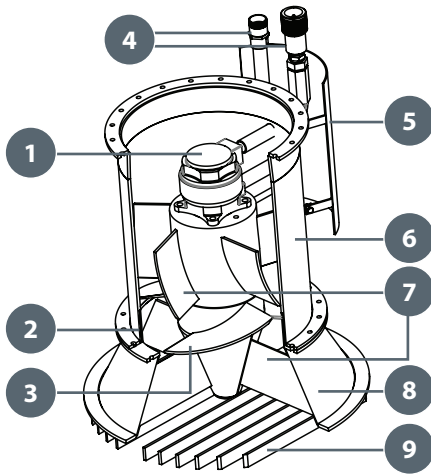


HYDRAFLO™ SINGLE STAGE PHYSICAL DATA

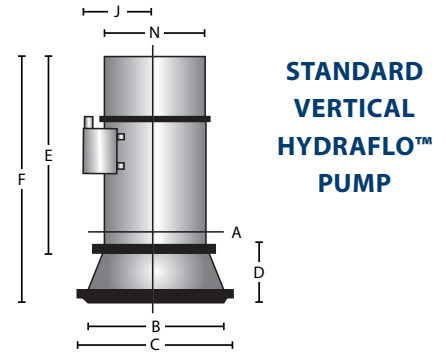
DIMENSION GUIDE - IMPERIAL & METRIC MEASUREMENTS



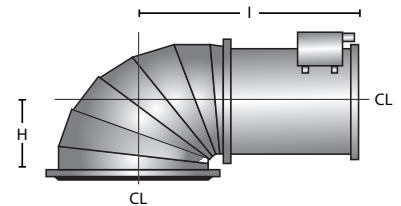
1. Hydraulic Motor
2. Replaceable S/S Liner (optional)
3. Propeller
4. Quick Couplings
5. Plumbing Guard
6. Distribution Section
7. Stationary Vanes
8. Intake Bell
9. Strainer Bars



**OPTIONAL ANGLE
HYDRAFLO™ PUMP**



**STANDARD
VERTICAL
HYDRAFLO™
PUMP**



**OPTIONAL HORIZONTAL
HYDRAFLO™ PUMP**

MODEL	HOUSING DIAMETER		INTAKE OPENING DIAMETER		INTAKE FLANGE OUTER DIAMETER		STANDARD VERTICAL INTAKE FLANGE TO FLANGE		PUMP HOUSING FLANGE TO FLANGE		STANDARD INTAKE FLANGE TO DISCHARGE FLANGE		HORIZONTAL INTAKE FLANGE TO DISCHARGE FLANGE		INTAKE FLANGE TO HOUSING CENTERLINE		INTAKE CENTERLINE TO VERTICAL DISCHARGE FLANGE	
	A		B		C		D ¹		E ³		F		G		H		I	
	IN.	MM.	IN.	MM.	IN.	MM.	IN.	MM.	IN.	MM.	IN.	MM.	IN.	MM.	IN.	MM.	IN.	MM.
HAC308	8.75	222	12	305	16	405	6.375	162	17.5	445	23.875	606	28.75	730	9.13	232	29.06	738
HAC312	13	330	18	457	22	559	6.375	162	22.25	565	28.625	727	37.63	956	11.63	295	35.44	900
HAC316	16.75	425	24	610	28	711	8.375	213	24.5	622	32.875	835	42.31	1075	15.38	391	42.38	1076
HAC320	20.75	527	30	762	34	864	8.375	213	30.5	775	38.875	987	50.81	1291	17.00	432	50.63	1286
HAC324	25	635	36	914	39.5	1003	11	279	30.5	775	41.5	1054	52.44	1332	20.38	518	54.75	1391
HAC330	31	787	45	1143	50	1270	12.5	318	39.25	997	51.75	1314	66.38	1686	23.50	597	67.81	1722
HAC336	37.25	946	54	1372	60.125	1527	14.75	375	48.375	1229	63.125	1603	81.50	2070	27.38	695	81.50	2070
HAC342	43.25	1099	63	1600	70.25	1784	14.75	375	49	1245	63.75	1619	82.44	2094	31.50	800	88.31	2243
HAC348	49.75	1264	72	1829	78.25	1988	17	432	60	1524	77	1956	102.50	2604	35.00	889	104.69	2659
HAC354	56.25	1429	81	2057	89.25	2267	21.75	552	60	1524	81.75	2076	102.50	2604	36.88	937	106.31	2700
HAC360	62	1575	90	2286	98.125	2492	24.75	629	60	1524	84.75	2153	105.06	2669	39.50	1003	113.13	2873

OPTIONAL INTAKE²

45° 90°

HYDRAFLO™ SINGLE STAGE PHYSICAL DATA

HYDRAFLO™ SINGLE STAGE PHYSICAL DATA

DIMENSION GUIDE - IMPERIAL & METRIC MEASUREMENTS



MODEL	HOUSING CENTERLINE TO PLUMBING GUARD		HOSE CONNECTION DIAMETER OF HOSE				FLANGE AT DISCHARGE ⁴						STANDARD VERTICAL PUMP VOLUME		STANDARD VERTICAL PUMP WEIGHT	
	J		K	L	M	N						APPROXIMATE		APPROXIMATE		
	IN.	MM.	SUPPLY	RETURN	CASE DRAIN	# OF HOLES	DIAMETER OF HOLES		BOLT CIRCLE DIAMETER		OUTER DIAMETER		CU.FT.	CU.MTS.	LBS.	KG.
							IN.	MM.	IN.	MM.	IN.	MM.				
HAC308	10	254	0.75	1	-	8	0.5625	14.29	10.75	273	12.75	324	4.42	0.125	170	77
HAC312	12	305	1	1.25	0.75	12	0.5625	14.29	14.875	378	16	406	8.02	0.227	300	136
HAC316	15	381	1.25	1.5	0.75	12	0.5625	14.29	19	483	20.8125	529	17.1	0.484	550	249
HAC320	19	483	1.25	1.5	0.75	18	0.5625	14.29	22	559	24.125	613	227.7	6.448	925	420
HAC324	22	559	1.5	1.5	0.75	20	0.5625	14.29	26.375	670	28.625	727	44.24	1.253	1500	680
HAC330	26	660	1.5-2.0	2.0	0.75	24	0.5625	14.29	32.75	832	34.125	867	95	2.690	2200	998
HAC336	30	762	1.5-2.0	2.0	0.75	28	0.75	19.05	40.625	1032	43.125	1095	158.21	4.480	3400	1542
HAC342	33	838	1.5-2.0	2.0	0.75	30	0.75	19.05	45.5	1156	49.5	1257	215	6.088	4000	1814
HAC348	40	1016	1.5-2.0	2.0	0.75	24	0.875	22.23	51.625	1311	54.1875	1376	604	17.103	7000	3175
HAC354	45	1143	(2)2.0	(2)2.0	(2).75 (1)1.0	24	0.875	22.23	57.625	1464	60.1875	1529	604	17.103	8500	3856
HAC360	48	1219	(2)2.0	(2)2.0	(2).75 (1)1.0	50	0.8124	20.64	63	1600	66.125	1680	604	17.103	10000	4536

(1) Strainer bars (intake screen) extend beyond intake flange (variable up to 2 inches). Dimension to intake flange is utilized here as a guide for spacing of opening to sump bottom.

(2) Intake bells are available as 45° and 90° as well as the standard vertical unit. (Consult factory for other available intakes.) All intakes can be provided with a stand to support water pump and ensure minimum inlet water requirements.

(3) If there are dimension limitations, consult factory as a shorter dimension may be obtainable.

(4) Optional A.S.A. and A.N.S.I. diameter and drilling flanges are available to match customer's existing pipe. Consult factory.

MWI Pumps Headquarters

33 NW 2nd Street | Deerfield Beach, FL 33441

Copyright © 2023 MWI Pumps | All rights reserved. Subject to change without notice.

Inquiries: 954-426-1500 | Fax: 954-426-8938 | Email: info@mwipumps.com | mwipumps.com