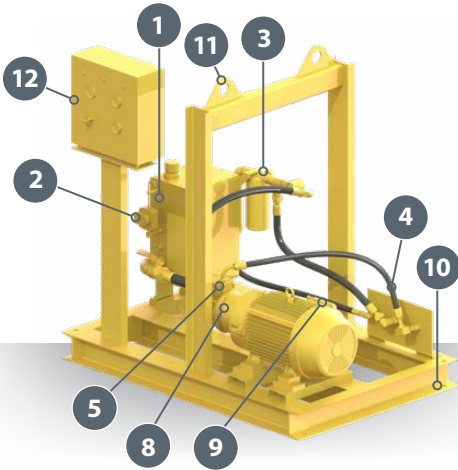


# ELECTRIC DRIVE UNIT

POWERING HYDRAFLO™ & DURAFLO™

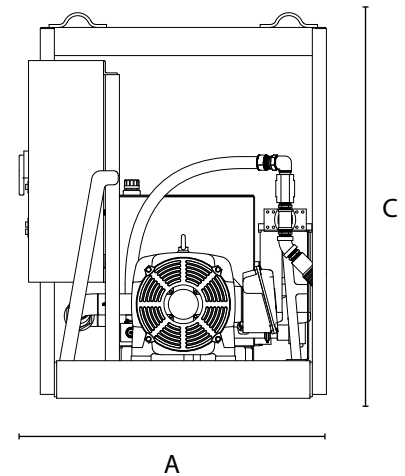


GENERAL INFORMATION							
Drive Model Number	Water Pump	Hydraulic Reservoir		Hose Connection (in.)			Electric Motor (BHP Range)
		Gals.	Ltrs.	Return	Supply	Case Drain	HP @ 1800 RPM
800	8"	10	38	1	0.75	0.75	≤35
1200	12-16"	10	38	1.25	1	0.75	36-70
2000	20"	15	57	1.5	1.25	0.75	76-100
2400	24"	22	83	1.5	1.5	0.75	101-200
3000	30-42"	40	151	2	2	0.75	201-350

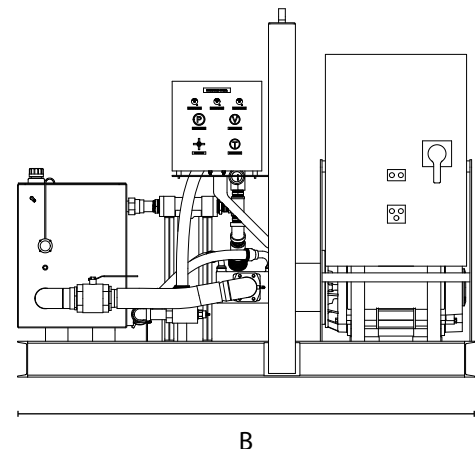
## STANDARD FEATURES

- Oil reservoir/heat exchanger
- Hydraulic oil level switch gauge
- Return filter
- Quick couplers
- Relief valve
- Suction strainer (not shown)
- Hydraulic pump
- Coupling
- Electric motor
- Heavy-duty skid frame
- Lifting eyes
- Control panel
  - Suction strainer vacuum gauge
  - Hydraulic system pressure gauge
  - Oil temperature gauge
  - Failure reset
  - System loading valve
- Electric motor starter panel (optional - not shown)

## DIMENSIONS



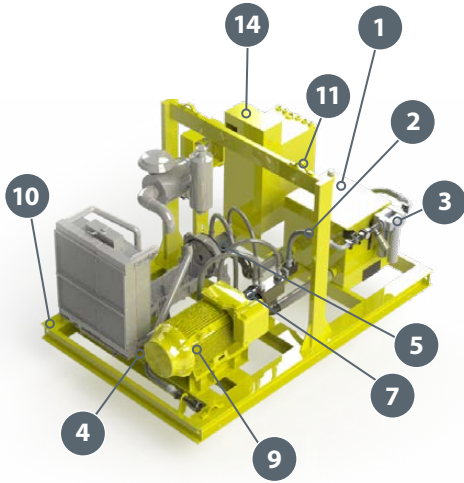
PHYSICAL DATA								
Drive Model Number	General Dimensions						Dry Weight (Approx.)	
	A		B		C			
	Ft.	Mts.	Ft.	Mts.	Ft.	Mts.	Ft.	Mts.
800	4.00	1.22	6.00	1.83	5.60	1.71	1750	795
1200-2000	4.25	1.30	7.50	2.29	5.60	1.71	2100	950
2400	4.50	1.37	10.00	3.05	5.60	1.71	3000	1360
3000	5.19	1.58	12.50	3.81	6.67	2.03	4100	1860



ELECTRIC DRIVE UNIT

# DIESEL ELECTRIC DRIVE UNIT

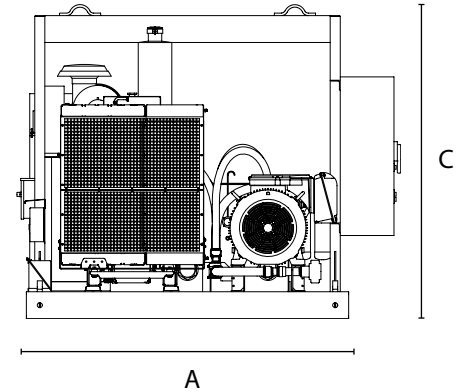
POWERING HYDRAFLO™ & DURAFLO™



1. Oil reservoir/heat exchanger
2. Hydraulic oil level switch gauge
3. Return filter
4. Quick couplers
5. Relief valve
6. Suction strainer (not shown)
7. Hydraulic pump
8. Coupling
9. Electric motor
10. Heavy-duty skid frame
11. Lifting eyes
12. Control panel
  - A. Suction strainer vacuum gauge
  - B. Hydraulic system pressure gauge
  - C. Oil temperature gauge
  - D. Failure reset
  - E. System loading valve
13. Electric motor starter panel (optional)
14. Day Tank

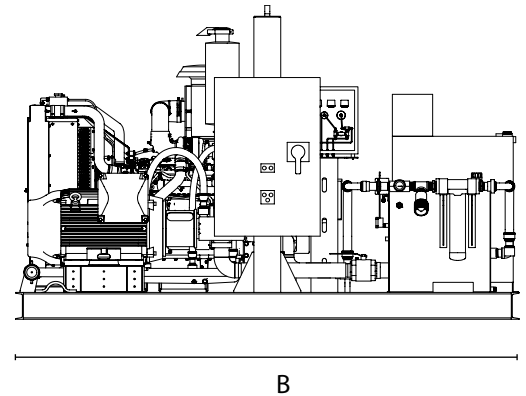
## GENERAL INFORMATION

Drive Model Number	Water Pump	Hydraulic Reservoir		Day Tank		Hose Connection (in.)			Diesel Engine (BHP Range)
		Gals.	Ltrs.	Gals.	Ltrs.	Return	Supply	Case Drain	HP @ 1800 RPM
800	8"	15	57	50	189	1	0.75	0.75	≤ 35
1200	12-16"	15	57	50	189	1.25	1	0.75	36-70
2000	20"	23	85	50	189	1.5	1.25	0.75	71-100
2400	24"	33	125	50	189	1.5	1.5	0.75	101-200
3000	30-36"	90	341	50	189	2	2	0.75	201-350
4200	42-48"	338	1278	100	379	2-2	2-2	0.75	351-575



## PHYSICAL DATA

Drive Model Number	General Dimensions							
	A		B		C		Dry Weight (Approx.)	
	Ft.	Mts.	Ft.	Mts.	Ft.	Mts.	Ft.	Mts.
800/1200	6.00	1.83	10.00	3.05	7.17	2.18	3500	1585
2000/2400	7.25	2.21	11.50	3.51	7.17	2.18	5000	2270
3000	7.25	2.21	12.50	3.81	7.17	2.18	7000	3175
4200	8.00	2.44	15.00	4.57	8.25	2.51	12000	5445



### MWI Pumps Headquarters

33 NW 2nd Street | Deerfield Beach, FL 33441

Copyright © 2019 MWI Pumps | All rights reserved. Subject to change without notice.

Inquiries: 954-426-1500 | Fax: 954-426-8938 | Email: info@mwipumps.com | [mwipumps.com](http://mwipumps.com)