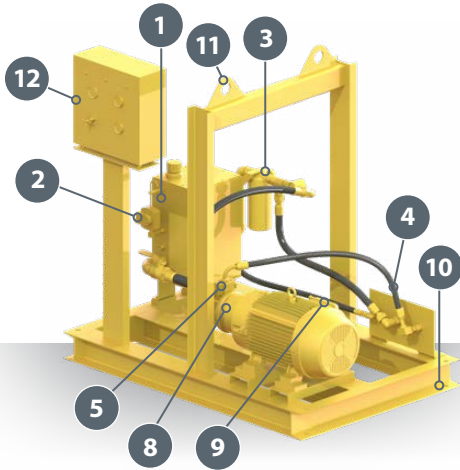


ELECTRIC DRIVE UNIT

POWERING HYDRAFLO™ & DURAFLO™

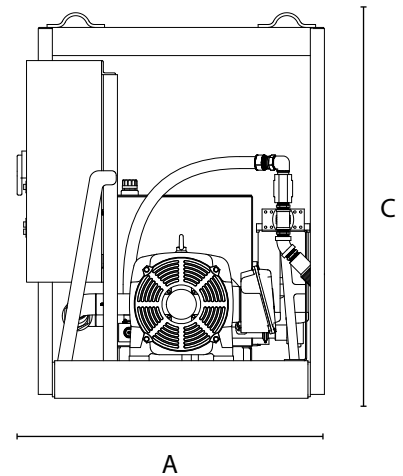


GENERAL INFORMATION							
Drive Model Number	Water Pump	Hydraulic Reservoir		Hose Connection (in.)			Electric Motor (BHP Range)
		Gals.	Ltrs.	Return	Supply	Case Drain	HP @ 1800 RPM
800	8"	10	38	1	0.75	0.75	≤35
1200	12-16"	10	38	1.25	1	0.75	36-70
2000	20"	15	57	1.5	1.25	0.75	76-100
2400	24"	22	83	1.5	1.5	0.75	101-200
3000	30-42"	40	151	2	2	0.75	201-350

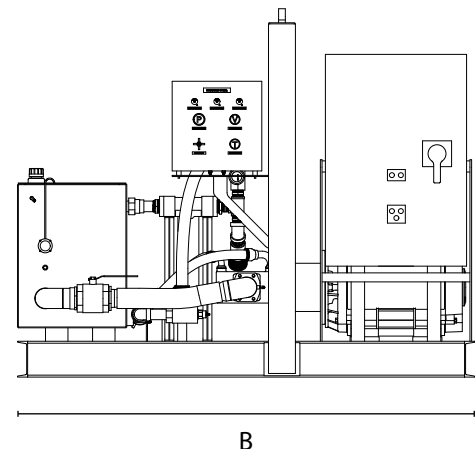
STANDARD FEATURES

- Oil reservoir/heat exchanger
- Hydraulic oil level switch gauge
- Return filter
- Quick couplers
- Relief valve
- Suction strainer (not shown)
- Hydraulic pump
- Coupling
- Electric motor
- Heavy-duty skid frame
- Lifting eyes
- Control panel
 - Suction strainer vacuum gauge
 - Hydraulic system pressure gauge
 - Oil temperature gauge
 - Failure reset
 - System loading valve
- Electric motor starter panel (optional - not shown)

DIMENSIONS



PHYSICAL DATA								
Drive Model Number	General Dimensions						Dry Weight (Approx.)	
	A		B		C			
	Ft.	Mts.	Ft.	Mts.	Ft.	Mts.	Ft.	Mts.
800	4.00	1.22	6.00	1.83	5.60	1.71	1750	795
1200-2000	4.25	1.30	7.50	2.29	5.60	1.71	2100	950
2400	4.50	1.37	10.00	3.05	5.60	1.71	3000	1360
3000	5.19	1.58	12.50	3.81	6.67	2.03	4100	1860



ELECTRIC DRIVE UNIT