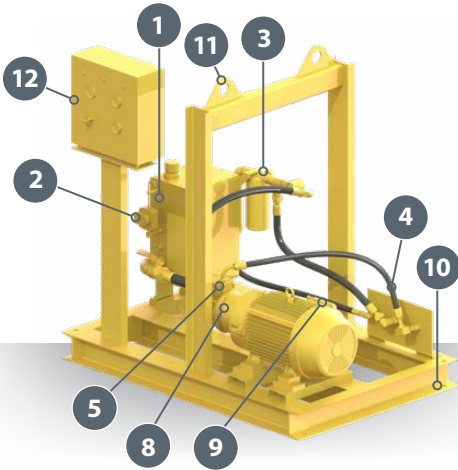


ELECTRIC DRIVE UNIT

POWERING HYDRAFLO™ & DURAFLO™



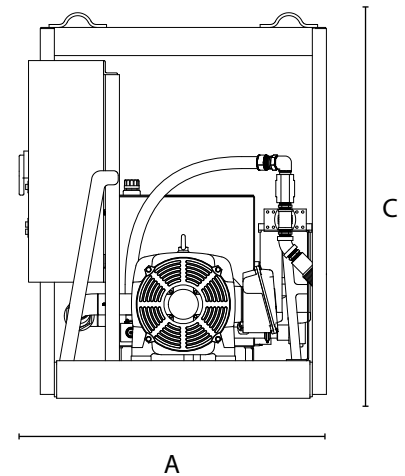
| GENERAL INFORMATION | | | | | | | |
|---------------------|------------|---------------------|-------|-----------------------|--------|------------|----------------------------|
| Drive Model Number | Water Pump | Hydraulic Reservoir | | Hose Connection (in.) | | | Electric Motor (BHP Range) |
| | | Gals. | Ltrs. | Return | Supply | Case Drain | HP @ 1800 RPM |
| 800 | 8" | 10 | 38 | 1 | 0.75 | 0.75 | ≤35 |
| 1200 | 12-16" | 10 | 38 | 1.25 | 1 | 0.75 | 36-70 |
| 2000 | 20" | 15 | 57 | 1.5 | 1.25 | 0.75 | 76-100 |
| 2400 | 24" | 22 | 83 | 1.5 | 1.5 | 0.75 | 101-200 |
| 3000 | 30-42" | 40 | 151 | 2 | 2 | 0.75 | 201-350 |

STANDARD FEATURES

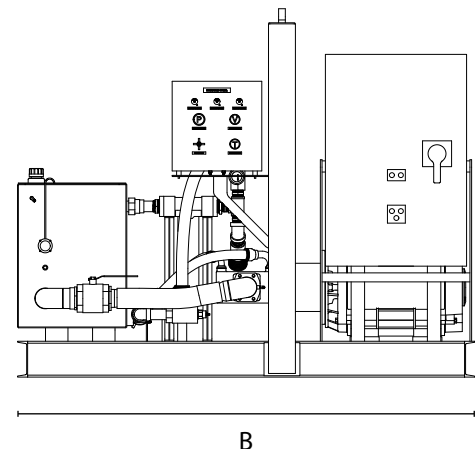
- | | |
|-------------------------------------|---|
| 1. Oil reservoir/heat exchanger | 10. Heavy-duty skid frame |
| 2. Hydraulic oil level switch gauge | 11. Lifting eyes |
| 3. Return filter | 12. Control panel |
| 4. Quick couplers | A. Suction strainer vacuum gauge |
| 5. Relief valve | B. Hydraulic system pressure gauge |
| 6. Suction strainer | C. Oil temperature gauge |
| 7. Hydraulic pump | D. Failure reset |
| 8. Coupling | E. System loading valve |
| 9. Electric motor | 13. Electric motor starter panel (optional) |

Items not shown: 6, 7, 13

DIMENSIONS



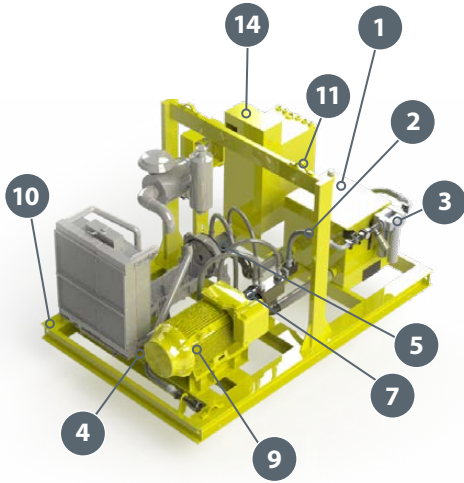
| PHYSICAL DATA | | | | | | | | |
|--------------------|--------------------|------|-------|------|------|------|----------------------|------|
| Drive Model Number | General Dimensions | | | | | | Dry Weight (Approx.) | |
| | A | | B | | C | | | |
| | Ft. | Mts. | Ft. | Mts. | Ft. | Mts. | lbs | kg |
| 800 | 4.00 | 1.22 | 6.00 | 1.83 | 5.60 | 1.71 | 1750 | 795 |
| 1200-2000 | 4.25 | 1.30 | 7.50 | 2.29 | 5.60 | 1.71 | 2100 | 950 |
| 2400 | 4.50 | 1.37 | 10.00 | 3.05 | 5.60 | 1.71 | 3000 | 1360 |
| 3000 | 5.19 | 1.58 | 12.50 | 3.81 | 6.67 | 2.03 | 4100 | 1860 |



ELECTRIC DRIVE UNIT

DIESEL ELECTRIC DRIVE UNIT

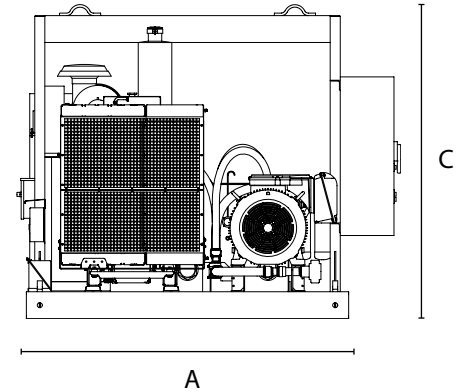
POWERING HYDRAFLO™ & DURAFLO™



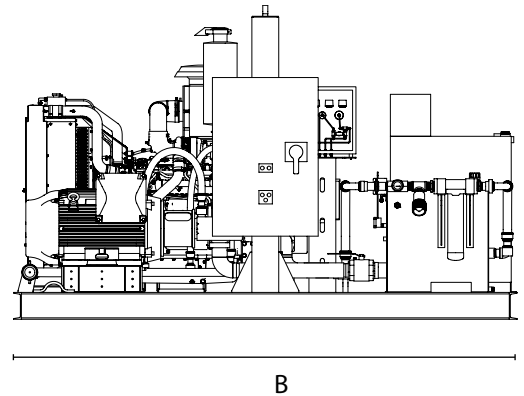
1. Oil reservoir/heat exchanger
2. Hydraulic oil level switch gauge
3. Return filter
4. Quick couplers
5. Relief valve
6. Suction strainer (not shown)
7. Hydraulic pump
8. Coupling
9. Electric motor
10. Heavy-duty skid frame
11. Lifting eyes
12. Control panel
 - A. Suction strainer vacuum gauge
 - B. Hydraulic system pressure gauge
 - C. Oil temperature gauge
 - D. Failure reset
 - E. System loading valve
13. Electric motor starter panel (optional)
14. Day tank

GENERAL INFORMATION

| Drive Model Number | Water Pump | Hydraulic Reservoir | | Day Tank | | Hose Connection (in.) | | | Diesel Engine (BHP Range) |
|--------------------|------------|---------------------|-------|----------|-------|-----------------------|--------|------------|---------------------------|
| | | Gals. | Ltrs. | Gals. | Ltrs. | Return | Supply | Case Drain | HP @ 1800 RPM |
| 800 | 8" | 15 | 57 | 50 | 189 | 1 | 0.75 | 0.75 | ≤ 35 |
| 1200 | 12-16" | 15 | 57 | 50 | 189 | 1.25 | 1 | 0.75 | 36-70 |
| 2000 | 20" | 23 | 85 | 50 | 189 | 1.5 | 1.25 | 0.75 | 71-100 |
| 2400 | 24" | 33 | 125 | 50 | 189 | 1.5 | 1.5 | 0.75 | 101-200 |
| 3000 | 30-36" | 90 | 341 | 50 | 189 | 2 | 2 | 0.75 | 201-350 |
| 4200 | 42-48" | 338 | 1278 | 100 | 379 | 2-2 | 2-2 | 0.75 | 351-575 |



| PHYSICAL DATA | | | | | | | | | | |
|--------------------|--------------------|------|-------|------|------|------|-------|------|----------------------|--|
| Drive Model Number | General Dimensions | | | | | | | | Dry Weight (Approx.) | |
| | A | | B | | C | | | | | |
| | Ft. | Mts. | Ft. | Mts. | Ft. | Mts. | lbs | kg | | |
| 800/1200 | 6.00 | 1.83 | 10.00 | 3.05 | 7.17 | 2.18 | 3500 | 1585 | | |
| 2000/2400 | 7.25 | 2.21 | 11.50 | 3.51 | 7.17 | 2.18 | 5000 | 2270 | | |
| 3000 | 7.25 | 2.21 | 12.50 | 3.81 | 7.17 | 2.18 | 7000 | 3175 | | |
| 4200 | 8.00 | 2.44 | 15.00 | 4.57 | 8.25 | 2.51 | 12000 | 5445 | | |



MWI Pumps Headquarters

33 NW 2nd Street | Deerfield Beach, FL 33441

Copyright © 2019 MWI Pumps | All rights reserved. Subject to change without notice.

Inquiries: 954-426-1500 | Fax: 954-426-8938 | Email: info@mwipumps.com | mwipumps.com