

DURAFLO™ HTC010

HYDRAULIC SUBMERSIBLE TRASH PUMP AND 2000D DRIVE UNIT



APPLICATIONS

Flood Control

Industrial

Bypass Pumping

Stormwater Drainage

Construction Dewatering

Agriculture

Aquaculture

Quarries

The MWI Duraflo™ hydraulic submersible trash pumps coupled with their diesel or electric drive units are an unbeatable combination for drying out construction excavations, quarry dewatering, sewage bypass, general municipal use and industrial work. These units are designed and manufactured for the toughest environments with the best combination of ruggedness, reliability, performance, operational costs and initial price. These pumps never quit – positively affecting your success and bottom line.

FEATURES

Duraflo™ - HTC010

- Open 3 bladed impeller for handling trash and sewage
- Easily passes 3.125" solids
- Runs dry indefinitely with oil lubricated seals and bearings
- Reliable, rugged vane hydraulic motor
- Lifting point
- Weldable and shock proof cast steel volute
- Manufactured in the USA

2000D Diesel Engine Drive Unit

- Skid mounted unit standard
- Trailer mounted unit available with optional fenders, DOT light kit and braking system
- Engine and hydraulic safety shutdowns
- Complete hydraulic system with control panel, pump, filters, tank and gauges
- Small hydraulic tank reduces fluid replacement costs
- Reliable, efficient vane hydraulic pump
- Environmentally friendly - inherently biodegradable hydraulic fluid
- Auto start/stop panel available with floats
- Manufactured in the USA

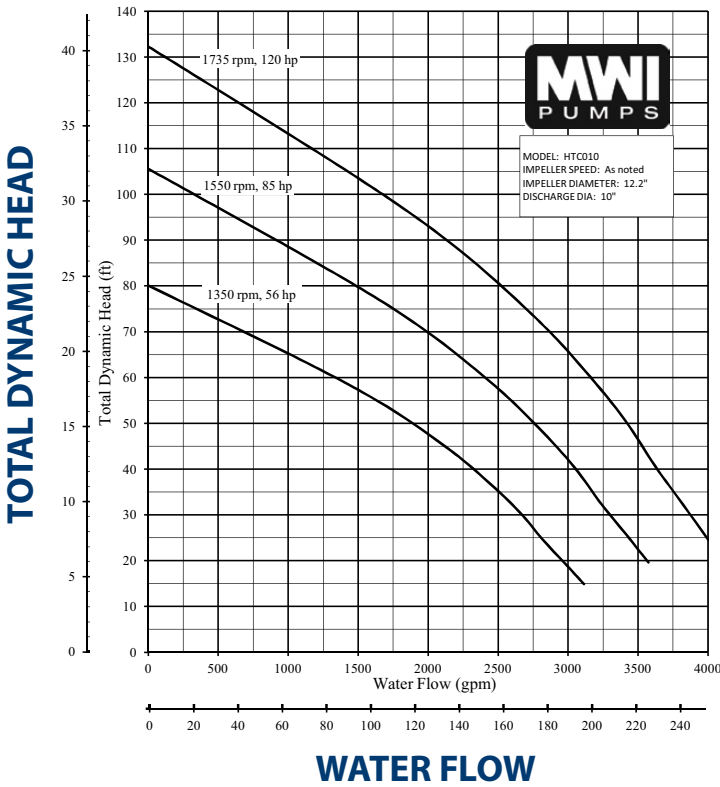
QUICK SPECIFICATIONS

Delivery connection	10" ANSI Pattern Flange
Max capacity	4000 GPM
Max solids handling	3.125"
Max impeller diameter	12.2"
Max head (TDH)	132'
Max hydraulic system pressure	2700 PSI
Dimensions	Unit: 29 x 55" / Drive: 37 x 77 x 108"
Sound levels w/ enclosure	67 dBA at 7M / 23'
Max fuel consumption	5.9 gal/hr at 99 HP; 15.9 hr run time

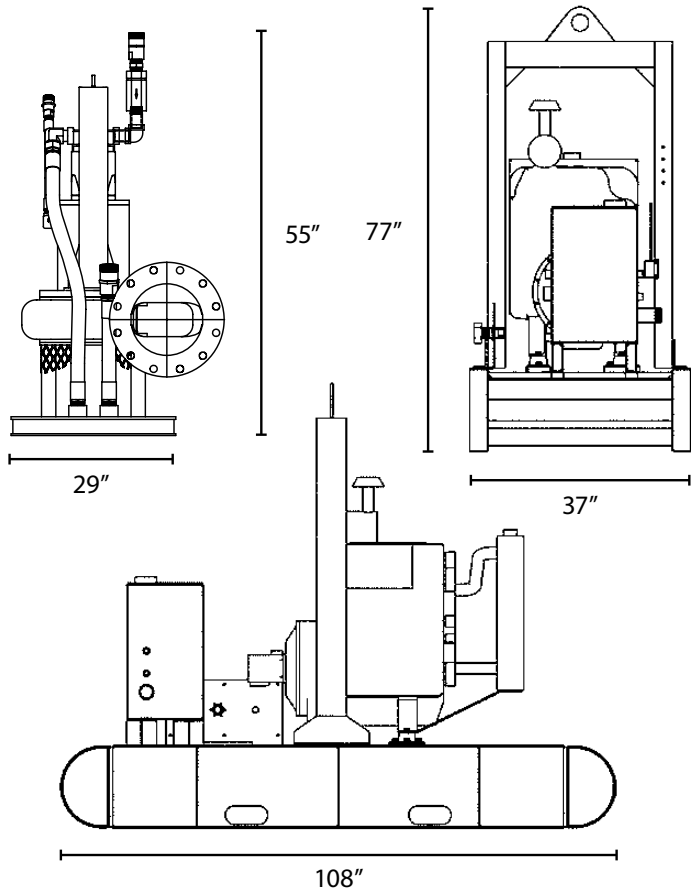


DURAFLO™ HTC010

PERFORMANCE CURVE



DIMENSIONS



MWI Pumps Headquarters

33 NW 2nd St | Deerfield Beach, FL 33441

Copyright © 2019 MWI Pumps | All rights reserved. Subject to change without notice.

Inquiries: 954-426-1500 | Fax: 954-426-8938 | Email: info@mwipumps.com | mwipumps.com

MATERIALS & SPECIFICATIONS

DURAFLO™ HTC010

Hydraulic motor	Vane type
Impeller	Cast stainless (CA40)
Shaft material	300 Series stainless steel
Volute	High strength, cast steel-nautilus design
Wear plates	A36 Steel - upper and lower
Delivery connection	10" ANSI Pattern Flange
Hose ports	1.25" Supply, 1.5" return, .75" case drain
Mechanical seal	Silicone carbide - hydraulic-fluid bathed
Bearings	Hydraulic-fluid lubricated - 50,000 hrs minimum life
Weight	680 lbs
Coating	Epoxy

2000D DRIVE UNIT

Engine	John Deere 4045HF280
Engine power	99 HP
Control panel with safety shutdowns	Including tach, hour meter, high coolant temperature and high/low oil pressure/temperature, excessive vacuum shutdowns plus over speed protection
Fuel tank	94 gallon vented fuel tank with extra large filler and fuel gauge
Fluid tank	15 Gallon hydraulic
Equipped standard	Internal suction strainer, return filter, external sight gauge for hydraulic oil and vented hydraulic oil filler cap
Hydraulic oil	AW 68
Weight	3800 lbs (skid)