

# DURAFLO™ HTC004

## HYDRAULIC SUBMERSIBLE TRASH PUMP AND 800D DRIVE UNIT



### APPLICATIONS

Flood Control

Industrial

Bypass Pumping

Stormwater  
Drainage

Construction  
Dewatering

Agriculture

Aquaculture

Quarries

The MWI Duraflo™ hydraulic submersible trash pumps coupled with their diesel or electric drive units are an unbeatable combination for drying out construction excavations, quarry dewatering, sewage bypass, general municipal use and industrial work. These units are designed and manufactured for the toughest environments with the best combination of ruggedness, reliability, performance, operational costs and initial price. These pumps never quit – positively affecting your success and bottom line.

### FEATURES

#### Duraflo™ - HTC004

- Open 3 bladed impeller for handling trash and sewage
- Easily passes 3" solids
- Runs dry indefinitely with oil lubricated seals and bearings
- Reliable, rugged vane hydraulic motor
- Lifting point
- Weldable and shock proof cast steel volute
- Manufactured in the USA

#### 800D Diesel Engine Drive Unit

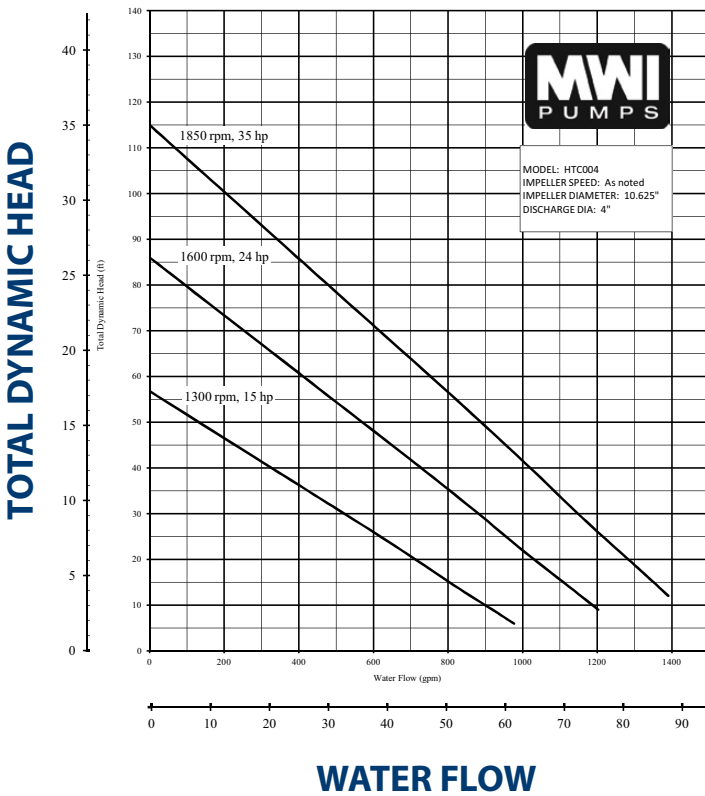
- Skid mounted unit standard
- Trailer mounted unit available with optional fenders, DOT light kit and braking system
- Engine and hydraulic safety shutdowns
- Complete hydraulic system with control panel, pump, filters, tank and gauges
- Small hydraulic tank reduces fluid replacement costs
- Reliable, efficient vane hydraulic pump
- Environmentally friendly - inherently biodegradable hydraulic fluid
- Auto start/stop panel available with floats
- Manufactured in the USA

### QUICK SPECIFICATIONS

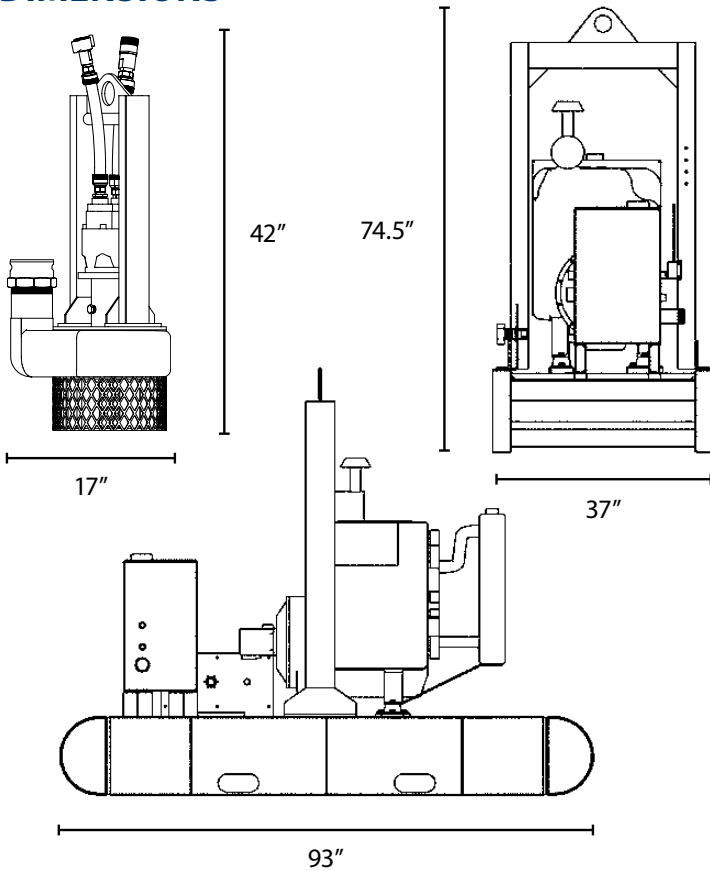
Delivery connection	4" Male NPT
Max capacity	1400 GPM
Max solids handling	3"
Max impeller diameter	10.6"
Max head (TDH)	115'
Max hydraulic system pressure	2700 PSI
Dimensions	Unit: 17 x 42" / Drive: 74.5 x 37 x 93"
Sound levels w/ enclosure	67 dBA at 7M / 23'
Max fuel consumption	2.8 gal/hr at 47 HP; 28 hr run time



# PERFORMANCE CURVE



# DIMENSIONS



## MWI Pumps Headquarters

33 NW 2nd St | Deerfield Beach, FL 33441

Copyright © 2019 MWI Pumps | All rights reserved. Subject to change without notice.

Inquiries: 954-426-1500 | Fax: 954-426-8938 | Email: info@mwipumps.com | [mwipumps.com](http://mwipumps.com)

## MATERIALS & SPECIFICATIONS

### DURAFLO™ HTC004

Hydraulic motor	Vane type
Impeller	3 Bladed open - A36 Steel
Shaft material	300 Series stainless steel
Volute	High strength, cast steel-nautilus design
Delivery connection	4" Male NPT
Hose ports	1" Return, .75" Supply
Bearings	Grease lubricated - 50,000 hrs minimum life
Weight	175 lbs
Coating	Epoxy

### 800D DRIVE UNIT

Engine	800 Diesel engine
Engine power	47 HP
Control panel with safety shutdowns	Including tach, hour meter, high coolant temperature and high/low oil pressure/temperature, excessive vacuum shutdowns plus over speed protection
Fuel tank	78 Gallon vented fuel tank with extra large filler and fuel gauge
Fluid tank	10 Gallon hydraulic
Equipped standard	Internal suction strainer, return filter, external sight gauge for hydraulic oil and vented hydraulic oil filler cap
Hydraulic oil	AW 68
Weight	2800 lbs (skid)