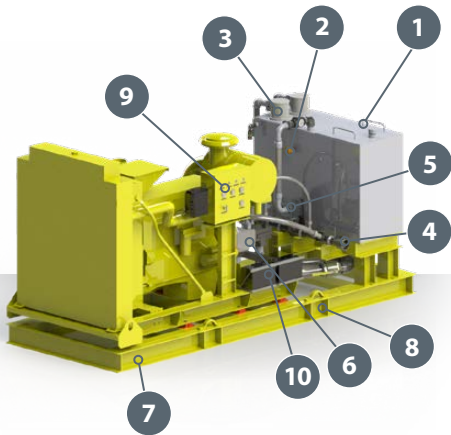


LARGE DIESEL DRIVE UNIT

POWERING HYDRAFLO™



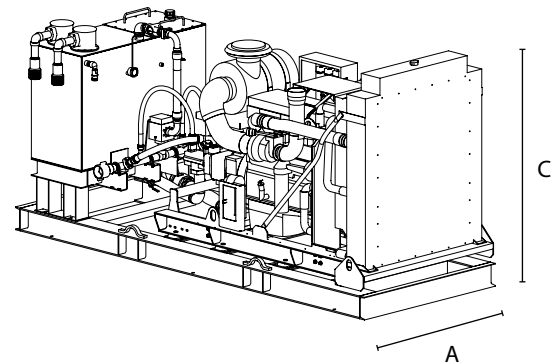
GENERAL INFORMATION

| Drive Model Number | Water Pump | Hydraulic Reservoir | | Day Tank | | Hose Connection (in.) | | | Diesel Engine (BHP Range) |
|--------------------|------------|---------------------|-------|----------|-------|-----------------------|--------|------------|---------------------------|
| | | Gals. | Ltrs. | Gals. | Ltrs. | Return | Supply | Case Drain | HP @ 1800 RPM |
| 3000D | 30-36" | 60 | 227 | 187 | 708 | 2 | 2 | 0.75 | 201-350 |
| 4200D | 42-48" | 225 | 852 | 100 | 379 | 2-2 | 2-2 | 0.75 | 351-575 |
| 6000D | 54-60" | 300 | 1136 | 200 | 757 | 2-2 | 2-2 | 1 | 576-800 |

STANDARD FEATURES

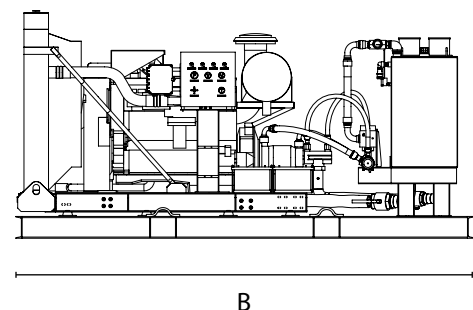
1. Oil reservoir/heat exchanger
2. Hydraulic oil level switch gauge
3. Return filter
4. Quick couplers
5. Relief valve
6. Hydraulic pump
7. Heavy duty skid frame
8. Lifting eyes
9. Battery
- Control panel
 - A. Suction strainer vacuum gauge
 - B. Hydraulic system pressure gauge
 - C. Oil temperature gauge
 - D. Failure reset
 - E. System loading valve

DIMENSIONS



PHYSICAL DATA WITHOUT DAY TANK

| Drive Model Number | General Dimensions | | | | | | Dry Weight (Approx.) | |
|--------------------|--------------------|------|-------|------|------|------|----------------------|------|
| | A | | B | | C | | | |
| | Ft. | Mts. | Ft. | Mts. | Ft. | Mts. | lbs. | kg. |
| 3000D | 4 | 1.22 | 12.50 | 3.81 | 7.17 | 2.18 | 7500 | 3402 |
| 4200D | 6 | 1.83 | 13.33 | 4.06 | 8.77 | 2.67 | 9800 | 4445 |
| 6000D | 7.33 | 2.24 | 16.33 | 4.98 | 8.25 | 2.51 | 15000 | 6804 |



LARGE DIESEL DRIVE UNIT