

# PORTABLE DIESEL DRIVE UNIT 800DU

POWERING HYDRAFLO™ & DURAFLO™



## GENERAL INFORMATION

Drive Model Number	Water Pump	Hydraulic Reservoir		Day Tank		Hose Connection (in.)			Diesel Engine (BHP Range)
		Gals.	Ltrs.	Gals.	Ltrs.	Return	Supply	Case Drain	HP @ RPM
800DU	4"	10	38	28	106	1	0.75	0.75	25hp@2400

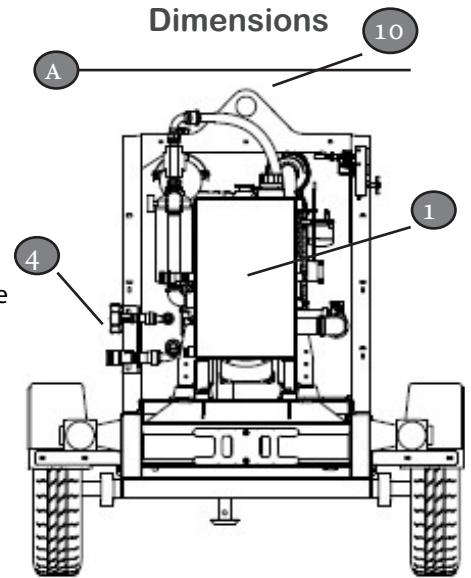
## STANDARD FEATURES

1. Oil reservoir
2. Hydraulic oil level switch gauge
3. Return filter
4. Quick couplers
5. Relief valve
6. Suction strainer
7. Hydraulic pump
8. Diesel engine
9. Engine controls

10. Lifting eye
11. Battery
12. Control Panel
  - A. Suction strainer vacuum gauge
  - B. Hydraulic system pressure gauge
  - C. Oil temperature gauge
  - D. Failure reset
  - E. System loading valve
13. Diesel fuel reservoir

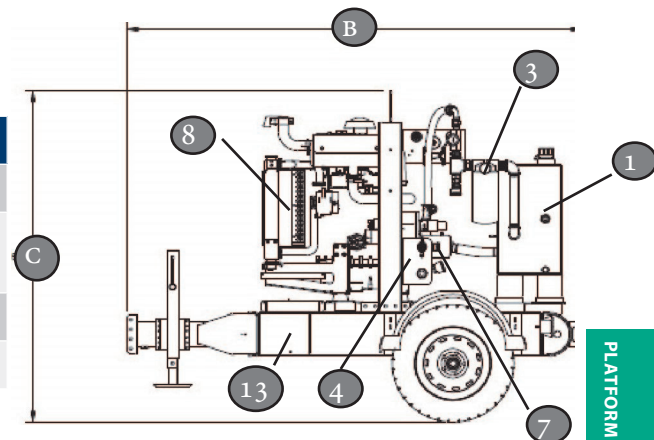
Items not shown: 2, 5, 6, 9, 11, 12

## Dimensions



## PHYSICAL DATA

Drive Model Number	General Dimensions							Dry Weight (Approx.)	
	A		B		C				
	Ft.	Mts.	Ft.	Mts.	Ft.	Mts.	lbs.	kg.	
800DU	5.14	1.57	7.59	2.31	5.72	1.74	2100	950	



PLATFORM DIESEL DRIVE UNIT

## MWI Pumps Headquarters

33 NW 2nd Street | Deerfield Beach, FL 33441

Copyright © 2019 MWI Pumps | All rights reserved. Subject to change without notice.

Inquiries: 954-426-1500 | Fax: 954-426-8938 | Email: info@mwipumps.com | [mwipumps.com](http://mwipumps.com)

02-02-22